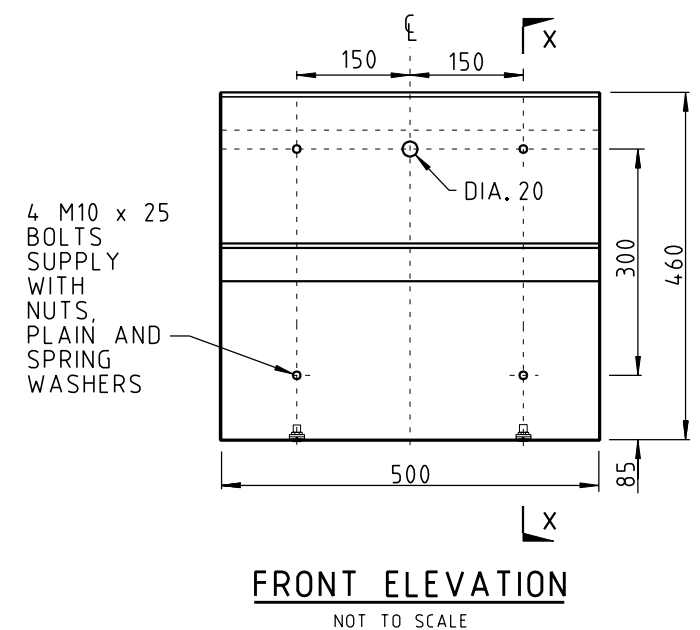
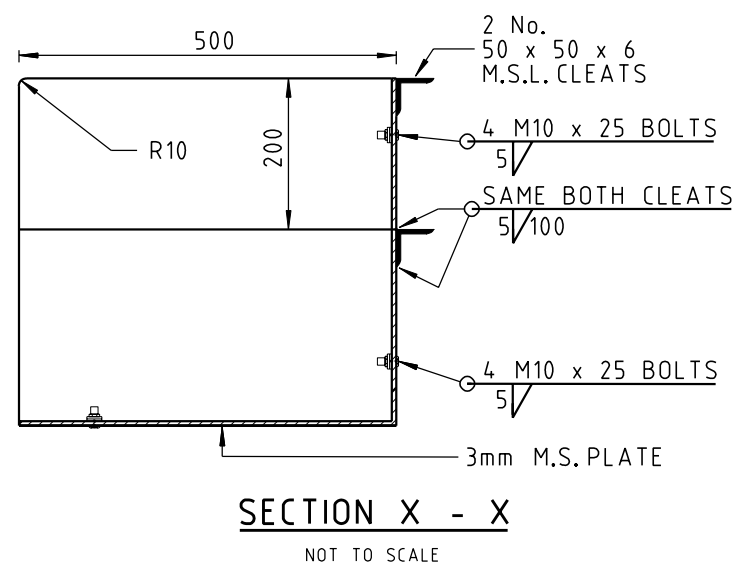
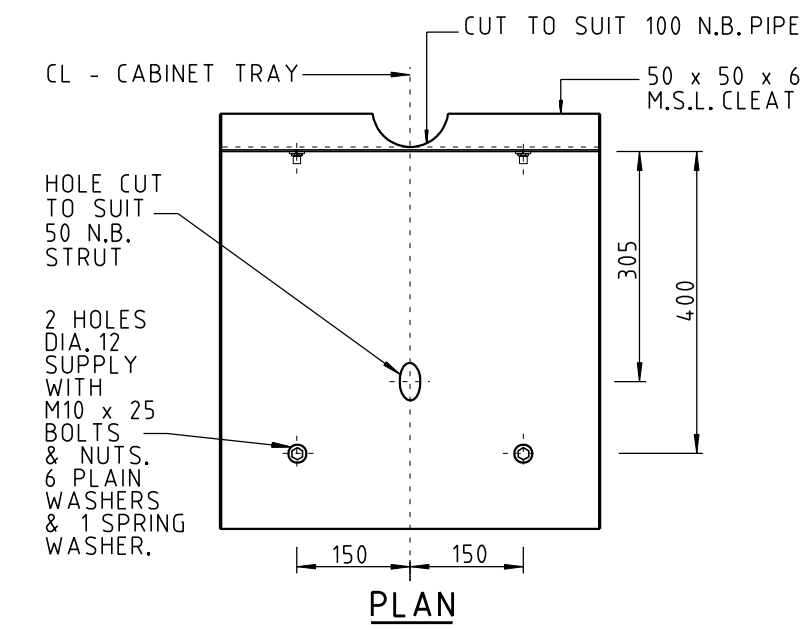


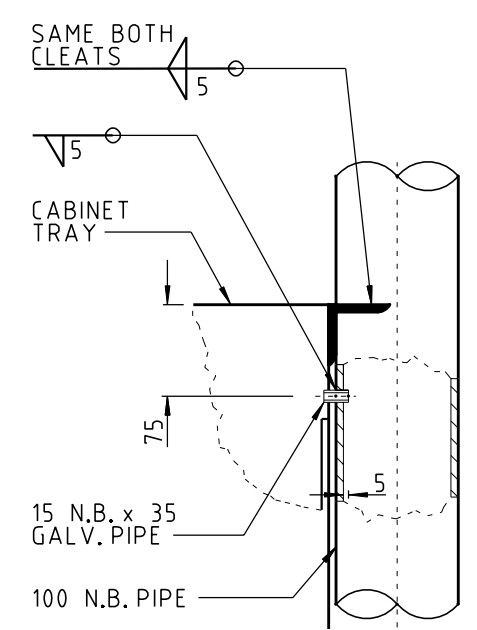
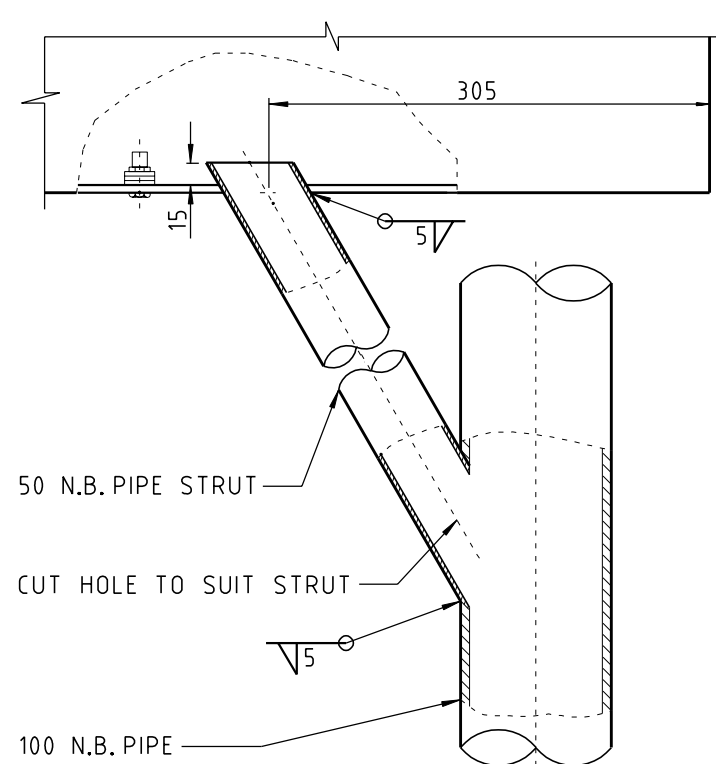
GENERAL ARRANGEMENT
NOT TO SCALE



- NOTES**
1. ALL WELDS TO BE COLD GALV. PAINTED
 2. CABINET TRAY TO BE HOT DIP GALVANISED PRIOR TO WELDING TO POST
 3. SOLAR PANEL MOUNTING TRAY TO BE HOT DIP GALVANISED
 4. ALL ENTRY POINTS TO BE SEALED WITH SILICON SEALANT AFTER ASSEMBLY OF CABINET TO POST
 5. ALL NUTS, BOLTS AND WASHERS TO BE GALVANISED

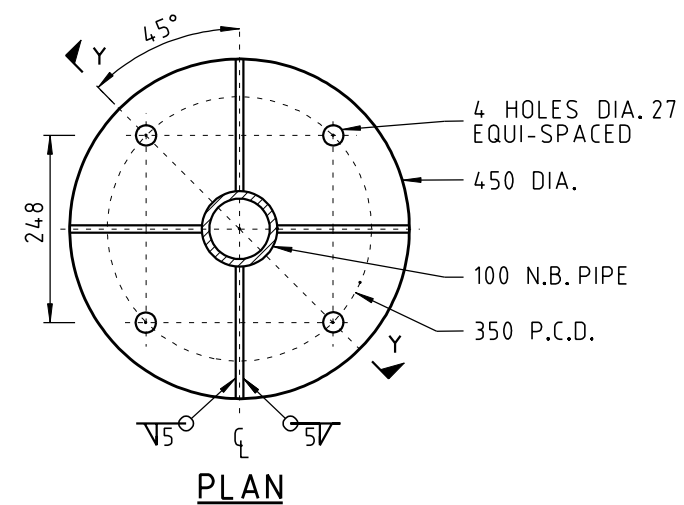


CABINET TRAY DETAIL
(REFER NOTE 2)

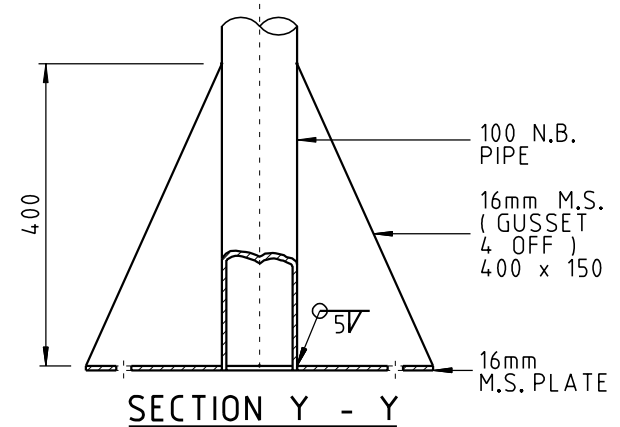


NOTE:
BASE PLATE TO BE ALIGNED RELATIVE TO CABINET TRAY AS SHOWN

DETAIL (B)
NOT TO SCALE



BASE PLATE DETAIL
NOT TO SCALE



17/06/2002 09:55:16 PM H:\KTS\STANDARDS\5 Traffic\CS1555-1.dgn

No.	DESCRIPTION	DATE	INIT.
1.	GOVERNMENT DEPARTMENT LOGOS CHANGED.	5/2002	K.S.
AMENDMENTS			

WARNING
BWARE OF UNDERGROUND SERVICES
The locations of underground services are approximate only and their exact position should be proven on site. No guarantee is given that all existing services are shown.

DRAWN K. SCHULZE	CHECKED
DATE 1-9-1993	DATE
DESIGNED	CHECKED
DATE	DATE
DESIGN PROJECT LEADER <i>M. M. M. M.</i>	PROJECT OFFICER
DATE 29 MAY 2002	DATE



STANDARD DRAWING		TRAFFIC COUNTING STATION - POST MOUNTED		POST ASSEMBLY	
FILE No.	SHEET No.	DRAWING NUMBER	AMEND.	SHEET SIZE	
	1 OF 1	C(S)1555	1	A1	