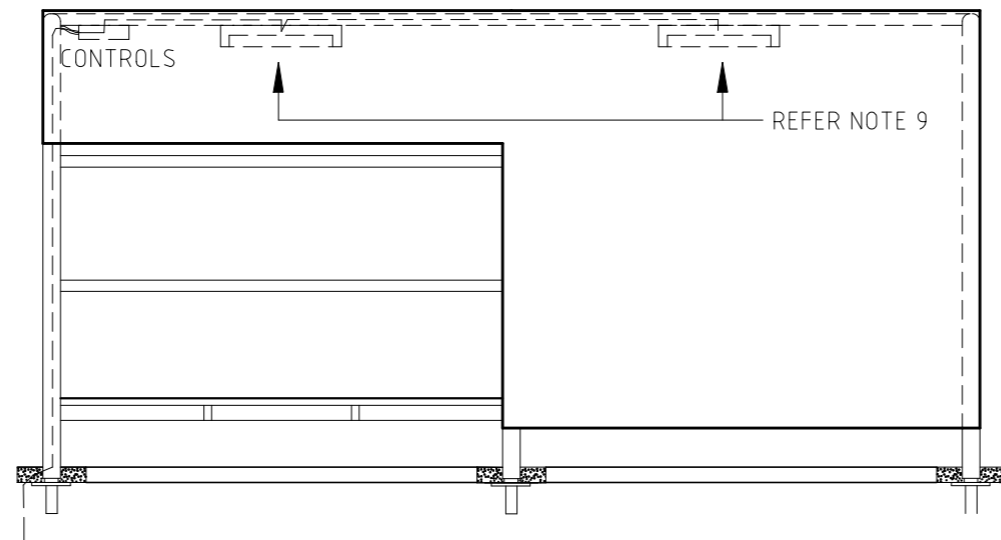
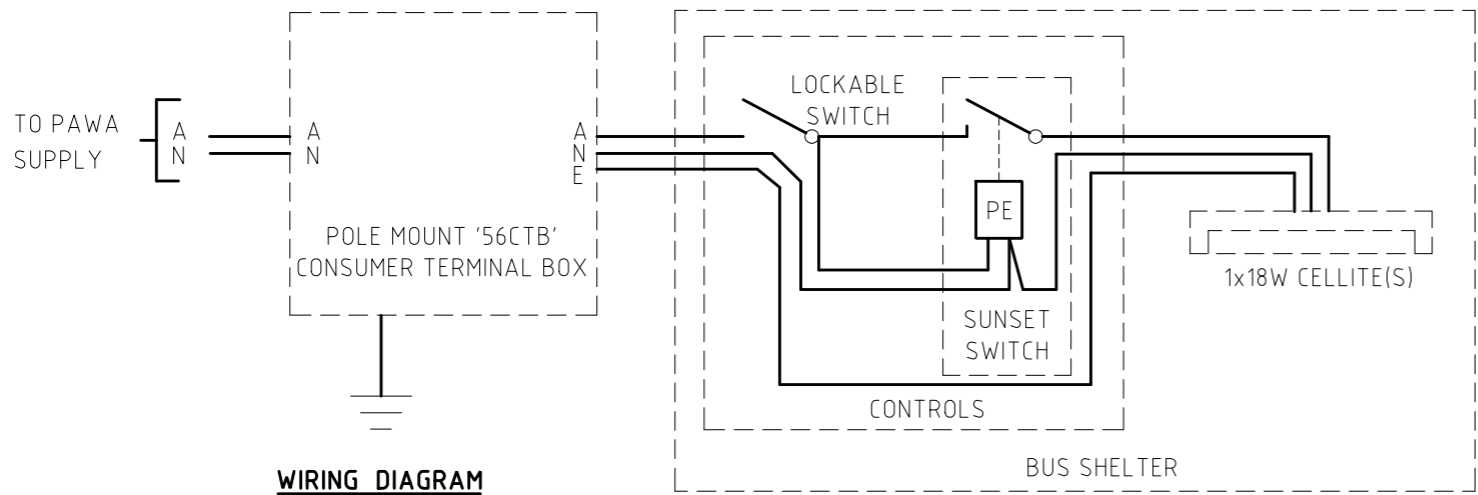


SIDE SECTION TYPICAL AERIAL ARRANGEMENT



TYPICAL FRONT ELEVATION



WIRING DIAGRAM

NOTES

SCOPE OF WORK: SUPPLY AND INSTALL BUS SHELTER LIGHTING, CONSUMERS MAINS FROM POINT OF SUPPLY, CABLING, PROTECTION AND CONTROLS AS PER THIS DRAWING.

- 1) COMPLY WITH AS/NZS3000:2000, POWER AND WATER CORPORATION AND WORK HEALTH AUTHORITY REGULATIONS, AND ANY OTHER RELEVANT STANDARDS.
- 3) SUPPLY AND INSTALL ALL WIRING, EQUIPMENT AND SUNDRY ITEMS ENABLING THE SYSTEM TO FUNCTION PROPERLY AND PERFORM TO THE SUPERINTENDENTS SATISFACTION.
- 4) ALL WIRING SHALL BE CONCEALED WITHIN THE BUS SHELTER PIPE WORK. CABLES LEAVING ONE PIPE AND ENTERING ANOTHER SHALL BE IN MEDIUM DUTY RIGID CONDUIT.
- 5) ALL CONDUIT SHALL BE OF STEEL CONSTRUCTION OR MECHANICALLY PROTECTED BY HAT SECTION. ALL HAT SECTIONS WILL BE CONSTRUCTED OF MIN. 1.6mm GALVANISED, PAINTED SHEETMETAL.
- 6) THERE SHALL BE NO EXPOSED SHARP EDGES ON ANY EQUIPMENT OR SUNDRY ITEMS INSTALLED AS PART OF THIS CONTRACT.
- 7) ALL SURFACES DAMAGED BY THIS CONTRACT SHALL BE REPAIRED TO MATCH EXISTING.
- 8) CONSULT THE POWER AND WATER CORPORATION FOR POINT OF SUPPLY AND PAY ALL ASSOCIATED COSTS INVOLVED IN CONNECTING THE SYSTEM TO THE SUPPLY GRID.
- 9) NUMBER OF LIGHTS TO BE DETERMINED IN CONSULTATION WITH THE SUPERINTENDENT.
- 10) INSTALL ALL EQUIPMENT TO MANUFACTURERS RECOMMENDATIONS.
- 11) ALL VARIATIONS TO THIS DRAWING SHALL BE APPROVED BY THE SUPERINTENDENT BEFORE COMMENCEMENT OF THE VARIED COMPONENT.
- 12) ALL WIRING IS TO BE LABELLED AT BOTH ENDS FOR EASY IDENTIFICATION. USE A 'GrafoPLAST' TYPE LABELING SYSTEM.

PROTECTION

SUPPLY AND INSTALL:

- A POLE AND FOOTING TO ACCOMMODATE A SINGLE PHASE (2 CORE) 16mmsq SERVICE AS PER POWER AND WATER CORPORATION REGS.
- A LINK ELECTRIC PTY LTD '56CTB' CONSUMER TERMINAL BOX MOUNTED 4m ABOVE GROUND LEVEL ON THE POLE DESCRIBED ABOVE.
- '56CTB' INCLUDES 56 SERIES ENCLOSURE WITH SPECIAL DRILLINGS AND COVER, 20A FUSE HOLDER AND CARTRIDGE, 16A 30mA COMBINED RCD/MCB, NEUTRAL LINK, NEUTRAL LINK, GLAD KIT, STAINLESS STEEL POLE MOUNTING BRACKET WITH SCREWS, AND INTERNAL WIRING AND LABELING.
- EARTH/ EARTH STAKE INSTALLED IN AN EARTH PIT MOUNTED ADJACENT TO THE POLE DESCRIBED ABOVE.

LEGEND

- NEW 1x18W CELLITE 'CELL118F' FLUORESCENT LUMINAIRE.
- NEW CLIPSAL '56E2' 56 SERIES MOUNTING ENCLOSURE COMPLETE WITH THE FOLLOWING EQUIPMENT;
 - CLIPSAL '56K2SW115MSLE' 56 SERIES SWITCH LOCKABLE IN THE 'ON' OR 'OFF' POSITION. KEY TO "60103".
 - CLIPSAL '56SSR' 56 SERIES SUNSET SWITCH.
- PROPOSED CABLE ROUTE.

THIS DRAWING SHALL BE APPLICABLE WHERE A BUS SHELTER IS BEING INSTALLED IN AN AREA IN WHICH POWER AND WATER CORPORATION HAS PLANS TO CONVERT OVERHEAD POWER RETICULATION TO UNDERGROUND POWER RETICULATION

				THIS DRAWING IS REPRODUCED FROM APPROVED DRAWING B02-5052.		DRAWN - DATE July 2006 DESIGNED - DATE July 2006 DESIGN PROJECT LEADER DATE		CHECKED DATE CHECKED DATE PROJECT OFFICER DATE		 Northern Territory Government Department of Planning and Infrastructure		DARWIN REGION BUS SHELTER ELECTRICAL SYSTEM FOR OVERHEAD AREAS INTENDED FOR CONVERSION TO UNDERGROUND			
No.	DESCRIPTION	DATE	INIT.	FILE No.	ASSET No.	SHEET No.	DRAWING No.	AMEND.	SHEET SIZE						
	AMENDMENTS			-	-	1 OF 1	C(S)2207 - 0		A3						