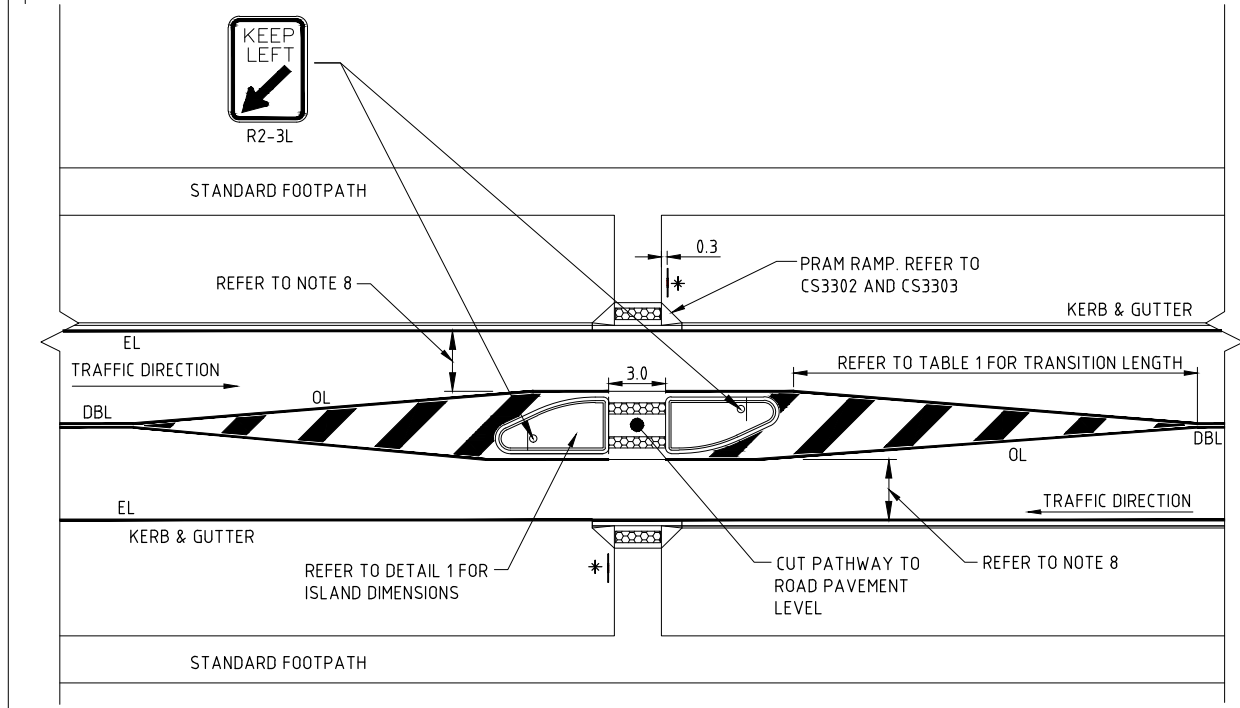


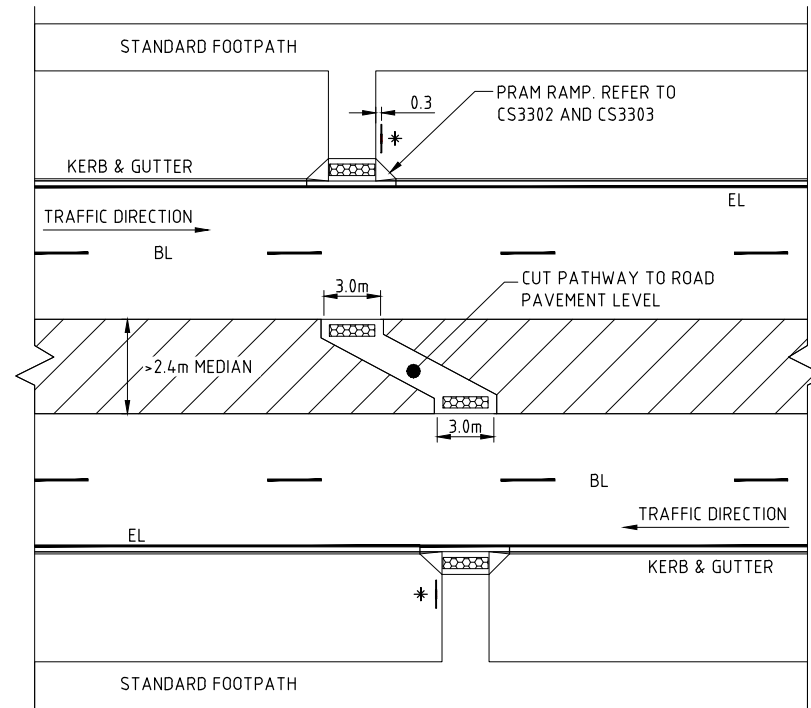
REFER OPTION 1 AND OPTION 2 FOR DIFFERENT UNCONTROLLED MID BLOCK CROSSING OPTIONS.

REFER TO CIVIL STANDARD FOR LINE MARKING DETAILS.

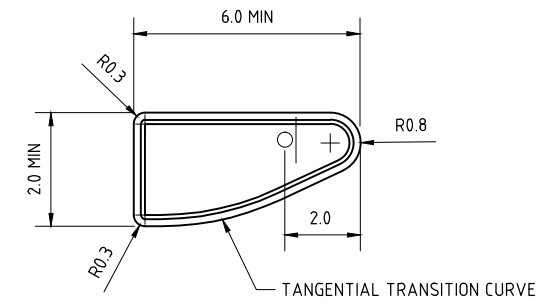
**PLAN VIEW**  
NOT TO SCALE



**UNCONTROLLED MID BLOCK CROSSING DETAIL - OPTION 1**  
FOR PEDESTRIAN REFUGE  
NOT TO SCALE



**UNCONTROLLED MID BLOCK CROSSING DETAIL - OPTION 2**  
FOR MEDIAN WIDTH > 2.4m  
NOT TO SCALE



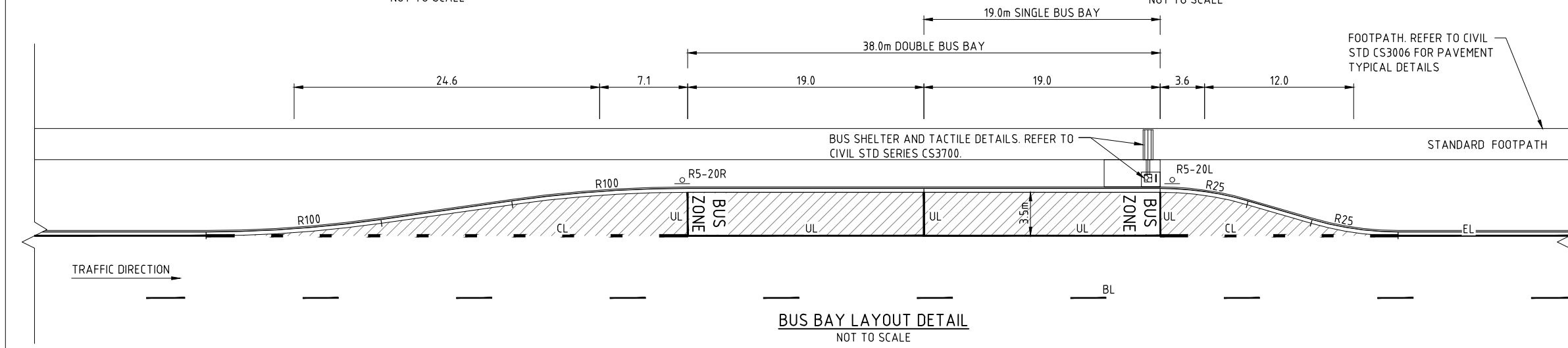
**DETAIL 1: PEDESTRIAN REFUGE ISLAND**  
NOT TO SCALE

**TABLE 1: CHEVRON TRANSITION LENGTH**

OPERATING SPEED (km/h)	TRANSITION LENGTH (m)
40	35
50	45
60	55
70	65

- NOTES:**
- ONLY INSTALL TACTILE ALONG THE FOOTPATH IF THERE IS A PATH LEADING UP TO THE BUS STOP.
  - REFER TO STANDARD DRAWINGS CS3302, CS3303 AND AS1428.1 FOR TACTILE SET OUT REQUIREMENTS
  - REFER TO STANDARD DRAWINGS CS3700 SERIES FOR BUS SHELTER DETAILS.
  - REFER TO STANDARD DRAWINGS CS3400, CS3401, CS3402 AND AS1742 FOR LINEMARKING REQUIREMENTS.
  - VERIFY AVAILABLE SIGHT DISTANCES.
  - LENGTHS SHOWN IN TABLE 1 ARE BASED ON A LATERAL SHIFT OF 1.8m.
  - ALL DIMENSIONS ARE IN METRES UNLESS NOTED OTHERWISE.
  - MAINTAIN MINIMUM LANE WIDTH AS RECOMMENDED IN AUSTRAD GUIDE ROAD DESIGN PART 3.

- LEGEND:**
- \* GRAB RAIL REFER TO CIVIL STD CS3305 FOR DETAILS
  - WARNING TACTILES
  - DIRECTIONAL TACTILES



**BUS BAY LAYOUT DETAIL**  
NOT TO SCALE

No.	DESCRIPTION	DATE	NAME	DEPT/COMPANY
1	LAYOUT DETAILS UPDATED	MAY 2019	S.SHI	EES/DIPL
0	ISSUED AS A STANDARD DRAWING	SEPT 2017	J.LEESON	EES/DoI

**WARNING**  
BEWARE OF UNDERGROUND SERVICES.  
THE LOCATIONS OF UNDERGROUND SERVICES ARE APPROXIMATE ONLY AND THEIR EXACT POSITION SHOULD BE PROVEN ON SITE. NO GUARANTEE IS GIVEN THAT ALL EXISTING SERVICES ARE SHOWN.

DRAWN J.LEESON	CHECKED B.O'DONNELL
DATE JULY 2016	DATE JULY 2016
DESIGNED	CHECKED
DATE	DATE
DESIGN LEADER S.HATZI	DESIGN DIRECTOR S.JACKSON
DATE 15 SEPT 2017	DATE 15 SEPT 2017



STANDARD DRAWINGS		BUS SHELTERS & ASSOCIATED INFRASTRUCTURE	
<b>BUS BAY LAYOUT DETAILS</b>			
FILE No.	ASSET No.	SHEET No.	DRAWING No.
-	-	1 OF 1	CS3724
AMEND.	SHEET SIZE		
1	A1		