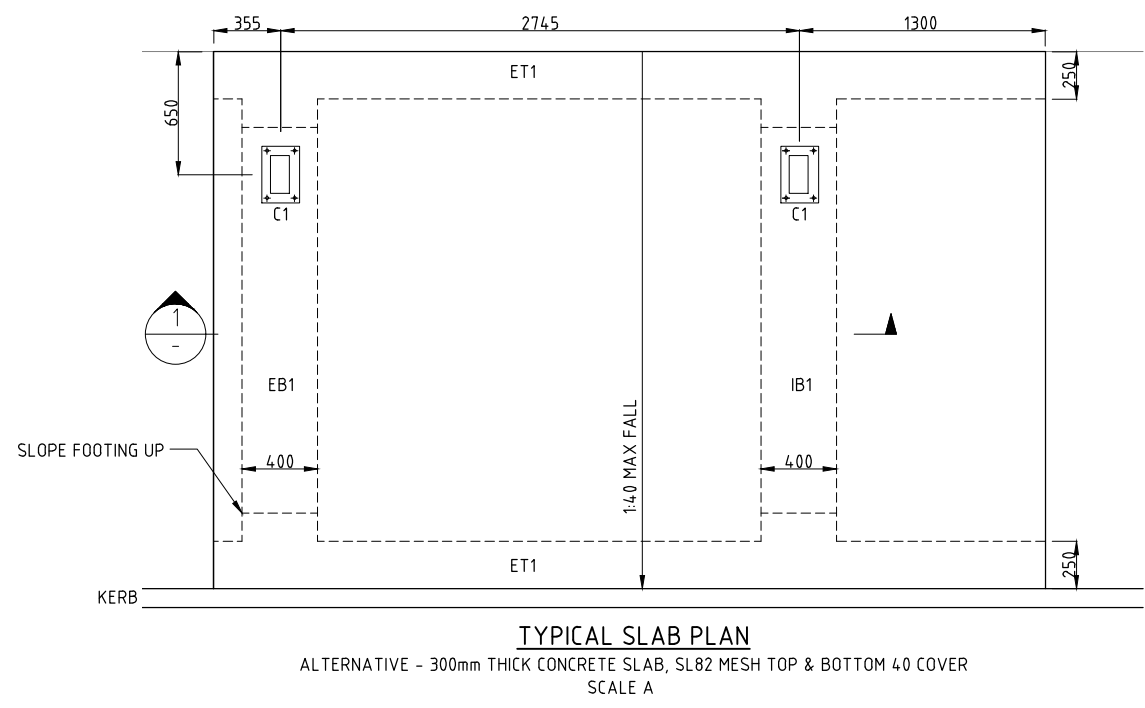
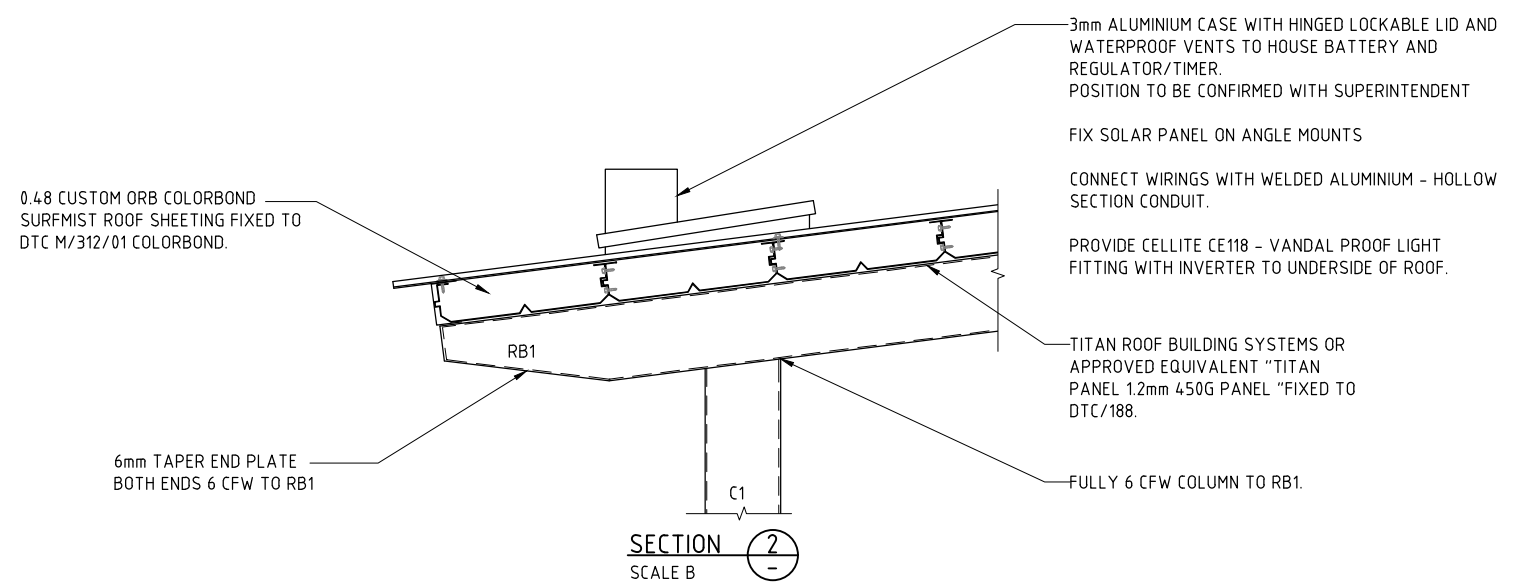
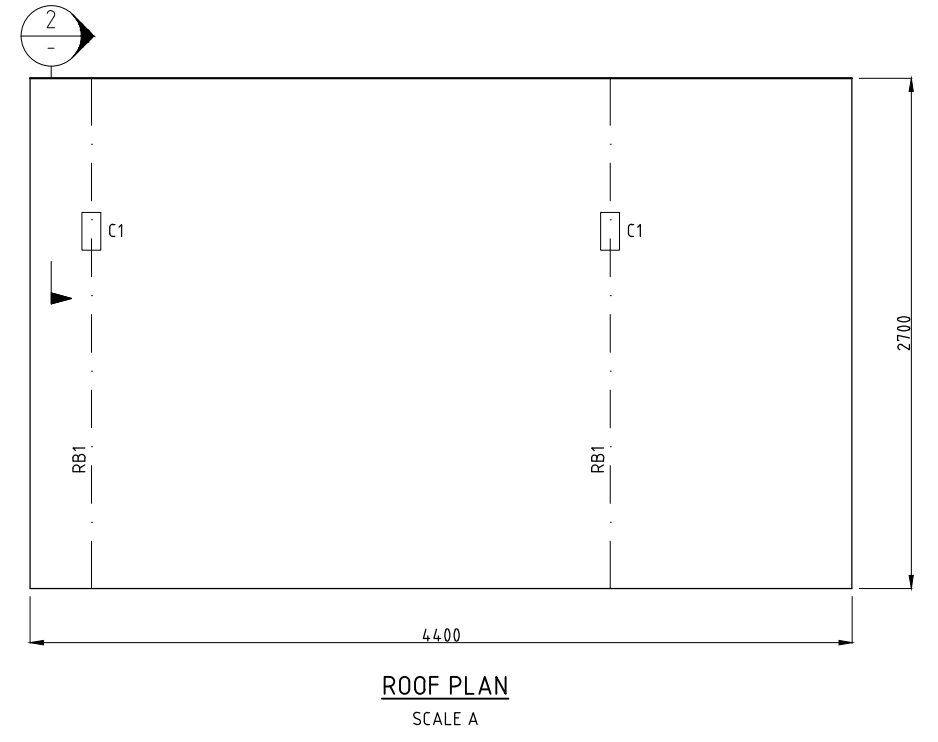
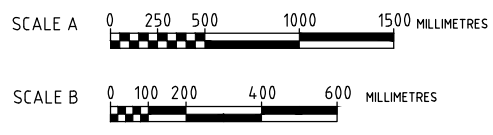


CONCURRED STRUCTURAL ONLY
NORTHERN TERRITORY GOVERNMENT
DEPARTMENT OF INFRASTRUCTURE, PLANNING & LOGISTICS
Level 4, Highway House, Palmerston Circuit, Palmerston
PO Box 61, Palmerston NT 0831
Signed: *Jorge Mu* 15/07/19
Registration No.: 33896ES



MEMBER SCHEDULE	
ET1	250x250 DEEP EDGE THICKENING
IB1	400x400 INTERNAL SLAB BEAM, 2N12 BARS TOP & BOTTOM. R10 LIGS AT NOM 450 CRS 50mm MIN COVER
EB1	400x400 INTERNAL SLAB BEAM, 2N12 BARS TOP & BOTTOM. R10 LIGS AT NOM 450 CRS 50mm MIN COVER
C1	200x100x4 RHS COLUMN
RB1	200x100x4 RHS ROOF BEAM. 6PL END PLATE BOTH ENDS



DRAWING IS TYPICAL ONLY. OBTAIN BUILDING PERMIT BEFORE CONSTRUCTION.

WARNING
BEWARE OF UNDERGROUND SERVICES. THE LOCATIONS OF UNDERGROUND SERVICES ARE APPROXIMATE ONLY AND THEIR EXACT POSITION SHOULD BE PROVEN ON SITE. NO GUARANTEE IS GIVEN THAT ALL EXISTING SERVICES ARE SHOWN.

DRAWN	RAW	CHECKED	RAW
DATE	07.02.17	DATE	07.02.17
DESIGNED	RAW	CHECKED	RAW
DATE		DATE	
DESIGN LEADER	S.HATZI	DESIGN DIRECTOR	S.JACKSON
DATE	15/09/2017	DATE	15/09/2017



STANDARD DRAWINGS BUS SHELTERS & ASSOCIATED INFRASTRUCTURE			
SHELTER - TYPE 15 (TITAN ROOF SYSTEM) TYPICAL SLAB & CEILING PLAN			
FILE No.	ASSET No.	SHEET No.	DRAWING No.
-	-	3 OF 4	CS3715
AMEND.	3	SHEET SIZE	A1