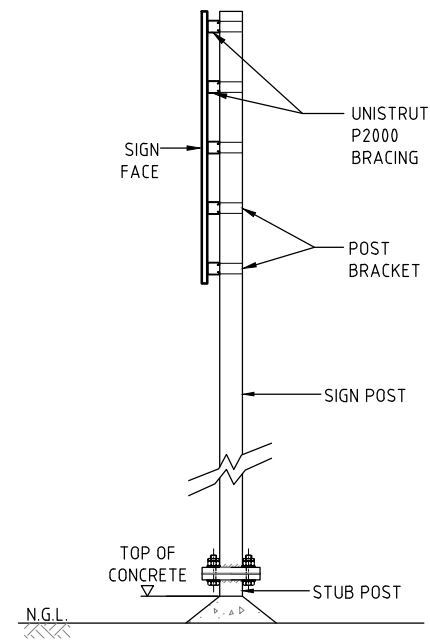
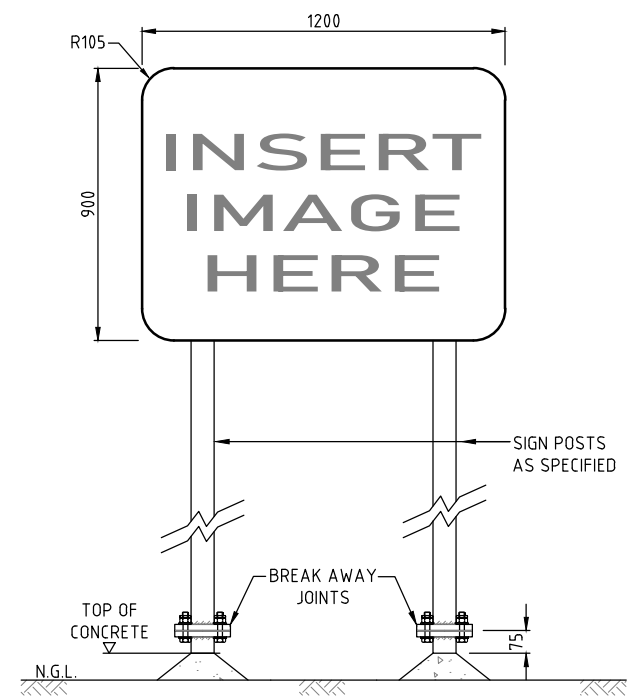


**BACK ELEVATION**  
N.T.S.



**SIDE ELEVATION**  
N.T.S.



**FRONT ELEVATION**  
N.T.S.

**GENERAL NOTES:**

1. ALL DIMENSIONS ARE IN MILLIMETRES UNLESS NOTED OTHERWISE.
2. MAXIMUM DESIGN CRITERIA APPLIED
  - REGION C
  - TERRAIN CATEGORY 2
  - DESIGN WIND SPEED 64/ms (ULS)
3. REFER STANDARD DRAWING CS-3508 FOR BREAKAWAY JOINTS DETAIL.
4. POST SHOULD BE IN CONTACT WITH SIGN SHEETING BRACING OVER THE FULL HEIGHT OF THE SIGN.
5. FOOTING DETAIL:
  - A - POST HOLES TO BE 300mm DIA. AND 1000mm DEEP (BASED ON 100KPa SOIL BEARING PRESSURE CAPACITY. ENGINEER IS TO BE ADVISED IF SOIL IS LESS THAN 100KPa. THIS MAY BE MODIFIED IN ROCK AS DETERMINED BY ENGINEER.
  - B - FOOTINGS TO BE INSPECTED BY STRUCTURAL ENGINEER PRIOR TO FILL WITH CONCRETE.
6. SIGN BOARD TO BE IN CONTACT WITH AND FIRMLY ATTACHED TO BRACING FOR FULL WIDTH AND FULL HEIGHT OF SIGN BOARD.
7. UNISTRUT ATTACHMENT SYSTEM TO BE DESIGNED AND SUPPLIED BY SIGN MANUFACTURER BASED ON THE DESIGN WIND SPEED STATED ABOVE.
8. ALL WELDS SHALL CONFORM TO AS/NZS 1554-2014 AND BE 6mm CONTINUOUS "SP" FILLET WELDS OR FULL PENETRATION STRUCTURAL PURPOSE UNLESS OTHERWISE NOTED.
9. SIGN BOARD TO BE SINGLE SHEET OF MARINE GRADE ALUMINUM ALLOY DESIGNATION 5052-H38, 1200x900, ALL CORNERS TO BE ROUNDED AT 105mm RADIUS.
10. ALL STEEL POSTS, CONTINUOUS STUBS & COMPONENTS MUST BE HOT DIP GALVANISED.

**WARNING**  
BEWARE OF UNDERGROUND SERVICES.  
THE LOCATIONS OF UNDERGROUND SERVICES ARE APPROXIMATE ONLY AND THEIR EXACT POSITION SHOULD BE PROVEN ON SITE. NO GUARANTEE IS GIVEN THAT ALL EXISTING SERVICES ARE SHOWN.

No.	DESCRIPTION	DATE	NAME	DEPT./COMPANY
1	AMEND POST AND FOOTING SIZE	JAN 2021	N.V.	EES/DIPL
0	ISSUED AS A STANDARD DRAWING	DEC 2020	N.V.	EES/DIPL
AMENDMENTS				

DRAWN N.VAJRATHORN	CHECKED S.HATZI
DATE DEC 2020	DATE DEC 2020
DESIGNED	CHECKED J.MU
DATE	DATE DEC 2020
DESIGN LEADER S.HATZI	DESIGN DIRECTOR
DATE DEC 2020	DATE



STANDARD DRAWINGS ROAD FURNITURE AND SIGNS				
ADVERTISING SIGN SIZE 1200mm WIDE x 900mm HIGH				
FILE No.	ASSET No.	SHEET No.	DRAWING No.	AMEND.
-	-	1 OF 1	CS3521	1
				SHEET SIZE A1