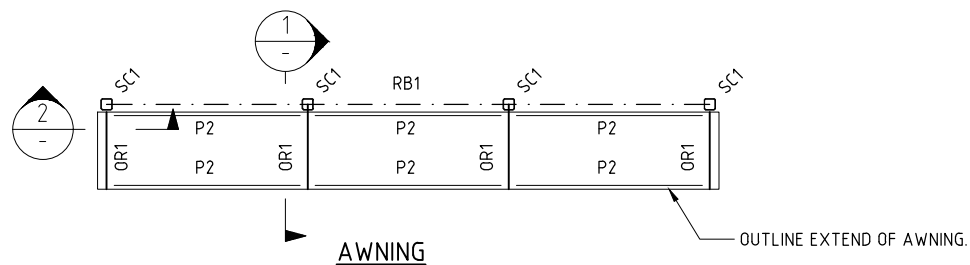


**MAIN ROOF**



**AWNING**

**ROOF FRAMING PLANS**  
SCALE B

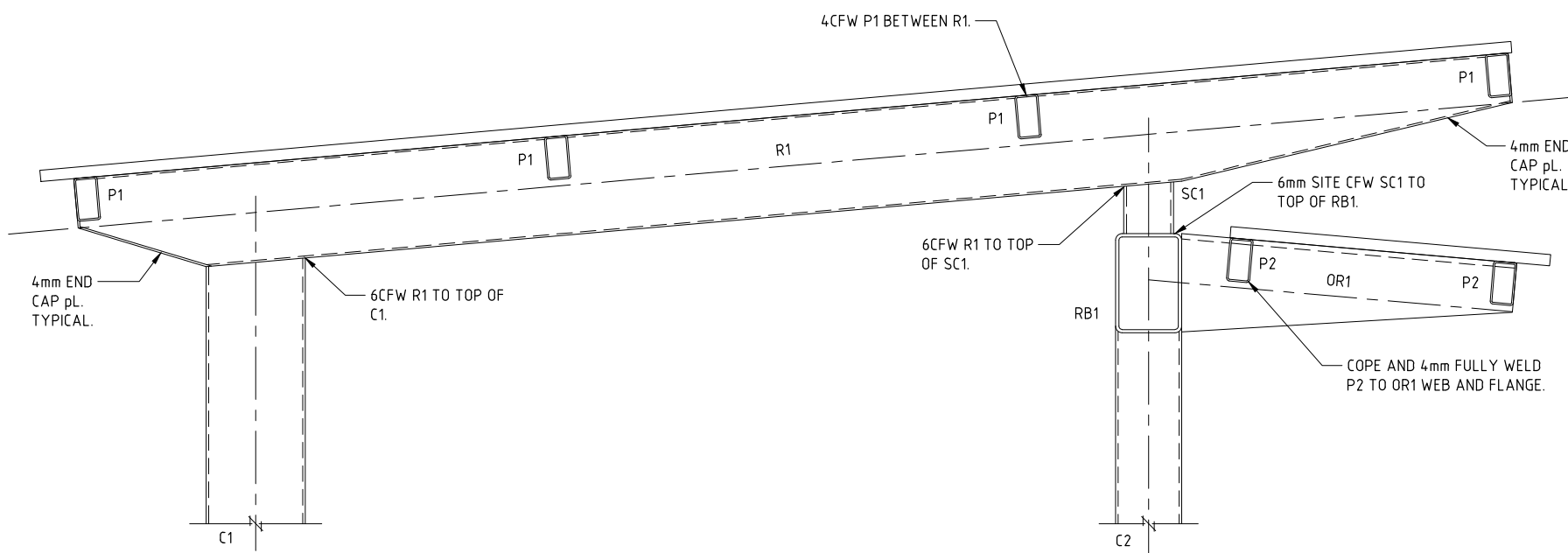
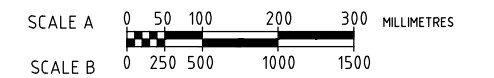
**STRUCTURAL MEMBER SCHEDULE**  
**STRUCTURAL STEELWORK**

MARK	DESCRIPTION	REINFORCEMENT / COMMENTS
C1	150x100x4.0 RHS	COLUMN
C2	100x4.0 SHS	COLUMN
R1	150x100x4.0 RHS	RAFTER. 6CFW TO TOP OF C1/SC1, REFER TO DETAILS.
RB1	150x100x4.0 RHS	ROOF BEAM. MITRE AND 6CFW TO C2.
OR1	155BT16	OUTRIGGER. 6CFW TO SIDE OF C2/RB1.
SC1	75x75x3.0 SHS	STUB COLUMN, 6CFW TO TOP OF RB1.
P1	65x35x2.5 RHS	PURLINS. 4CFW BETWEEN R1.
P2	65x35x2.5 RHS	PURLINS. 4CFW BETWEEN OR1.

- 3mm END CAP pL. ALL EXPOSED HOLLOW SECTION ENDS U.N.O.
- ALL HOLLOW SECTIONS TO BE GRADE C350 LO

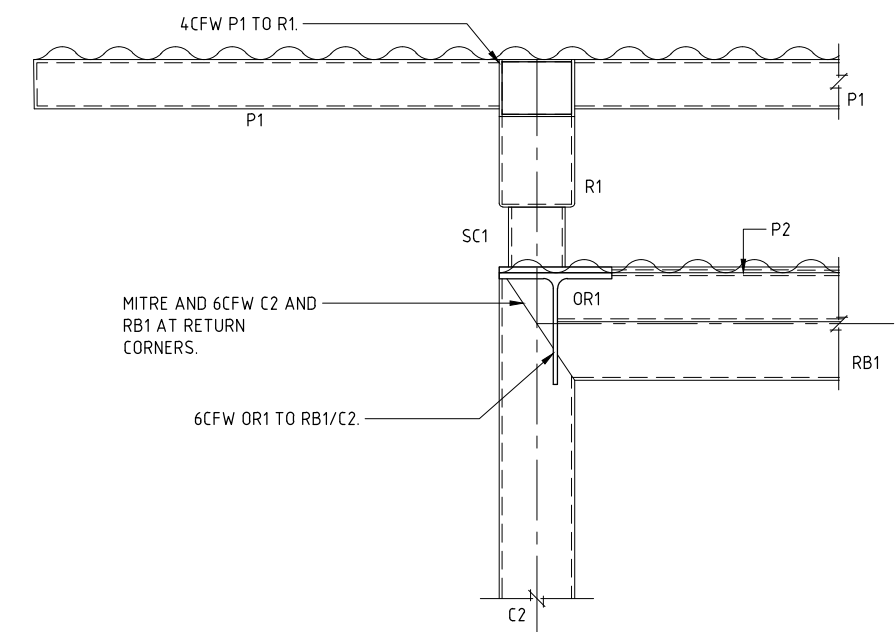
**ROOF NOTE:**

- 0.48 BMT "BLUESCOPE LYSAGHT" COLORBOND CUSTOM ORB ROOF SHEETING (OR EQUAL APPROVED BY SUPERINTENDENT) CREST FIXED TO RELEVANT DTC REQUIREMENT AS NOMINATED ON STRUCTURAL NOTES, CS3700.



**TYPICAL ROOF FRAMING DETAIL**

DETAIL 1  
SCALE A



**TYPICAL ROOF FRAMING DETAIL**

DETAIL 2  
SCALE A

**CONCURRED STRUCTURAL ONLY**  
NORTHERN TERRITORY GOVERNMENT  
DEPARTMENT OF INFRASTRUCTURE, PLANNING & LOGISTICS  
Level 4, Highway House, Palmerston Circuit, Palmerston  
PO Box 61, Palmerston NT 0831  
Signed: *Jorge Mu* 15/07/19  
Registration No.: 33896ES

**DRAWING IS TYPICAL ONLY. OBTAIN BUILDING PERMIT BEFORE CONSTRUCTION.**

**WARNING**

**BEWARE OF UNDERGROUND SERVICES.**  
THE LOCATIONS OF UNDERGROUND SERVICES ARE APPROXIMATE ONLY AND THEIR EXACT POSITION SHOULD BE PROVEN ON SITE. NO GUARANTEE IS GIVEN THAT ALL EXISTING SERVICES ARE SHOWN.

DRAWN	CARDNO	CHECKED	CARDNO
DATE	14.02.17	DATE	14.02.17
DESIGNED	CARDNO	CHECKED	CARDNO
DATE	14.02.17	DATE	14.02.17
DESIGN LEADER	S.HATZI	DESIGN DIRECTOR	S.JACKSON
DATE	15/09/2017	DATE	15/09/2017



STANDARD DRAWINGS  
BUS SHELTERS & ASSOCIATED INFRASTRUCTURE

**SHELTER - TYPE 14A - 3 BAY**  
**ROOF FRAMING PLANS & DETAILS**

FILE No.	ASSET No.	SHEET No.	DRAWING No.	AMEND.	SHEET SIZE
-	-	6 OF 6	CS3705	3	A1

No.	DESCRIPTION	DATE	NAME	DEPT./COMPANY
3	REISSUED WITH AMENDED CERTIFICATE	JUL 2019	S.SHI	EES/DIPL
2	REISSUED AS STANDARD DRAWING	OCT 2018	N.V.	EES/DIPL
1	MINOR AMENDMENT	APR 2018	N.V.	EES/DIPL
0	ISSUED AS A STANDARD DRAWING	SEPT 2017	J.LEESON	EES/DIPL
AMENDMENTS				