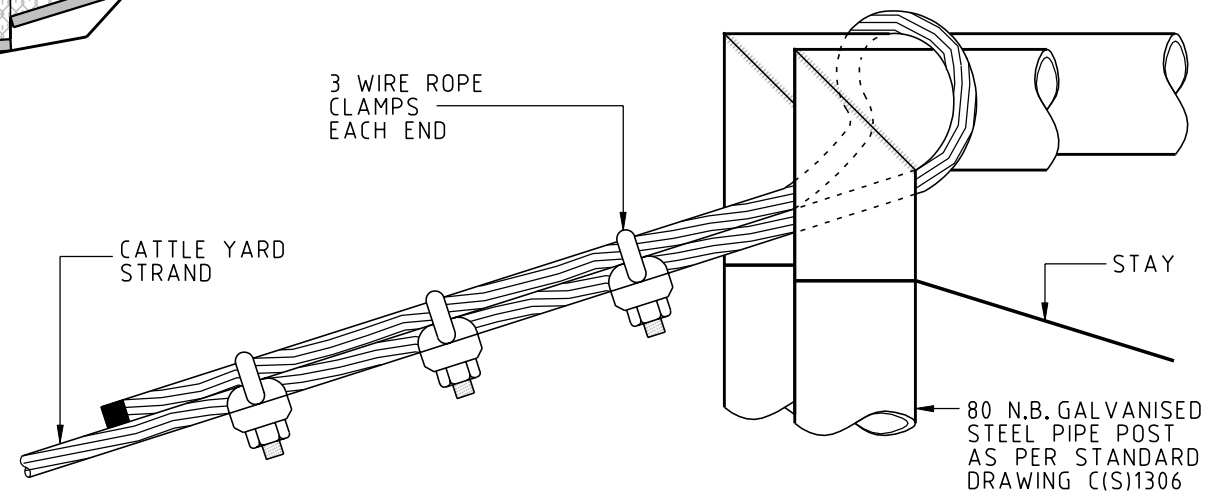


TYPICAL CROSS SECTION

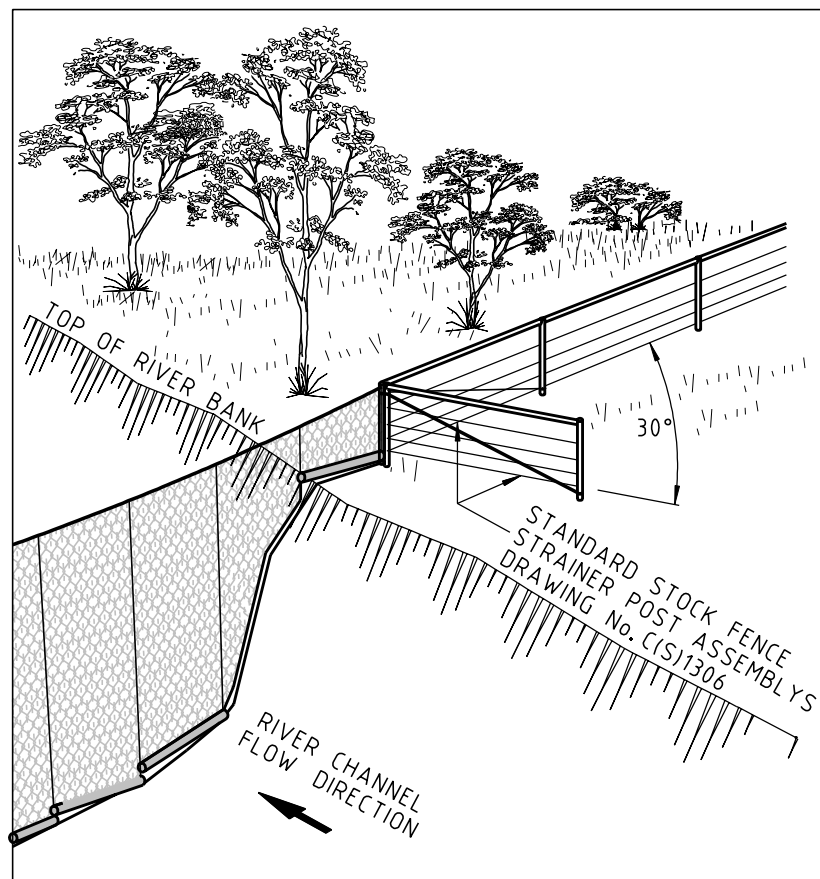
NOT TO SCALE



TYP CABLE CONNECTION

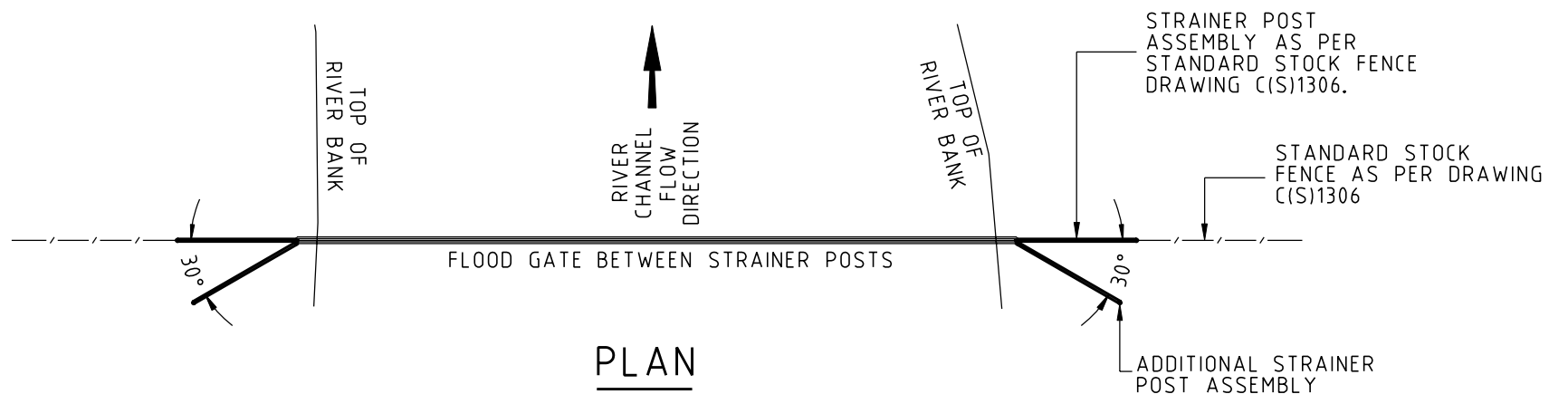
DETAIL

NOT TO SCALE



TYPICAL STRAINER ASSEMBLY

NOT TO SCALE




PLAN

NOT TO SCALE

30/05/2002 08:34:23 AM H:\KTS\STANDARDS\1. Fences\C(S)1317-A.dgn

No.	DESCRIPTION	DATE	INIT.
A.	GOVERNMENT DEPARTMENT LOGO ALTERED.	5/02	K.S.
AMENDMENTS			

DRAWN D. L. N. & K.S.	DRAWN
DATE JULY. 2001	DATE
DESIGNED G.C.	DESIGNED
DATE MAR. 96	DATE
DESIGN PROJECT LEADER <i>G.A. Carr</i>	PROJECT OFFICER
DATE 16/11/01	DATE


Northern Territory Government
 Department of Infrastructure, Planning and Environment

STANDARD DRAWING
STOCK FENCE
SWINGING FLOODGATE FOR STREAM CROSSINGS

SCALE AS SHOWN	SHEET No. 1 OF 1	DRAWING NUMBER C(S)1317	AMEND. A	SHEET SIZE A1
-------------------	---------------------	----------------------------	-------------	------------------