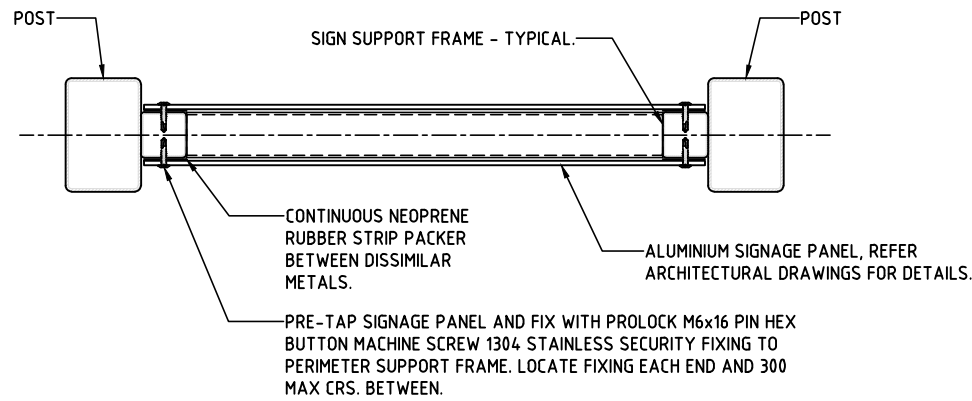


SIGNAGE FRAME

DETAIL **2**
NOT TO SCALE



SIGNAGE FRAME

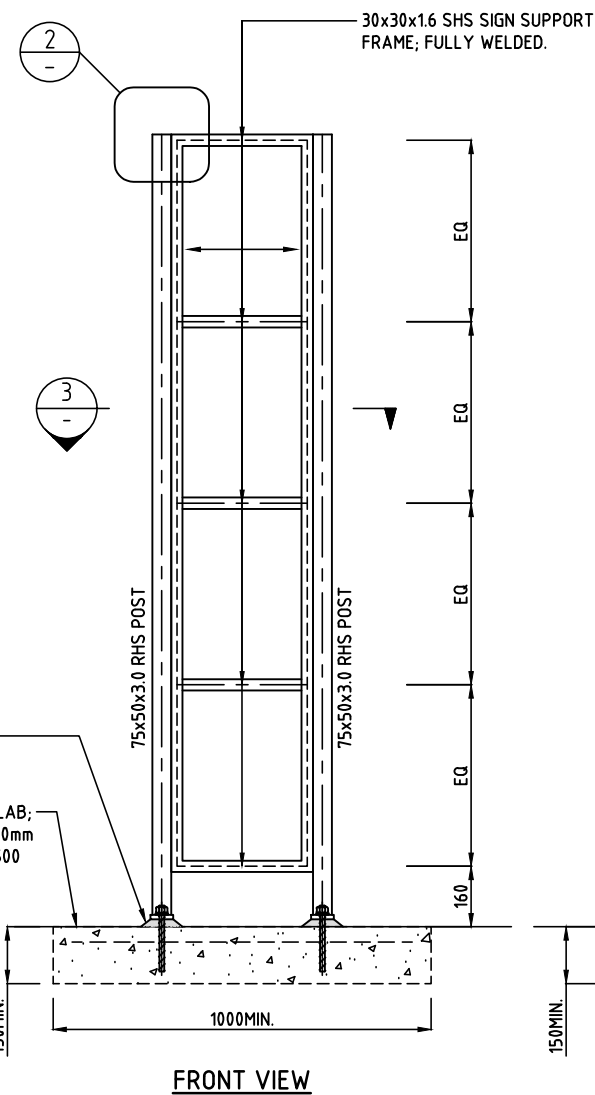
SECTION **3**
NOT TO SCALE

NOTES:

1. DO NOT SCALE DRAWINGS.
2. BUILDER SHALL BE RESPONSIBLE FOR THE STRUCTURE DURING ERECTION AND PROVE ADEQUATE PROPPING AND SUPPORTS.
3. PROVIDE SAFETY BARRIERS IN ACCORDANCE WITH NT WORK SAFE REQUIREMENTS PERIMETER OF WORK AREA.
4. DRAWINGS TO BE READ IN CONJUNCTION WITH ASSOCIATED ARCHITECTURAL DRAWINGS.
5. ALL HOLLOW SECTION MEMBERS TO BE GRADE 350 STEEL.
6. ALL STEEL FRAMING TO BE HOT-DIP GALVANISED FINISH.
7. ALL STEELWORK SHALL BE IN ACCORDANCE WITH AS 4100-1998.
8. ALL WELDS TO BE 6mm "SP" CONTINUOUS FILLET WELD, U.N.O.
9. CHEMSET/S" DENOTES "RAMSET" GRADE 5.8 HOT DIPPED GALV. STUDS FIXED WITH "RAMSET CHEMSET REO 502"

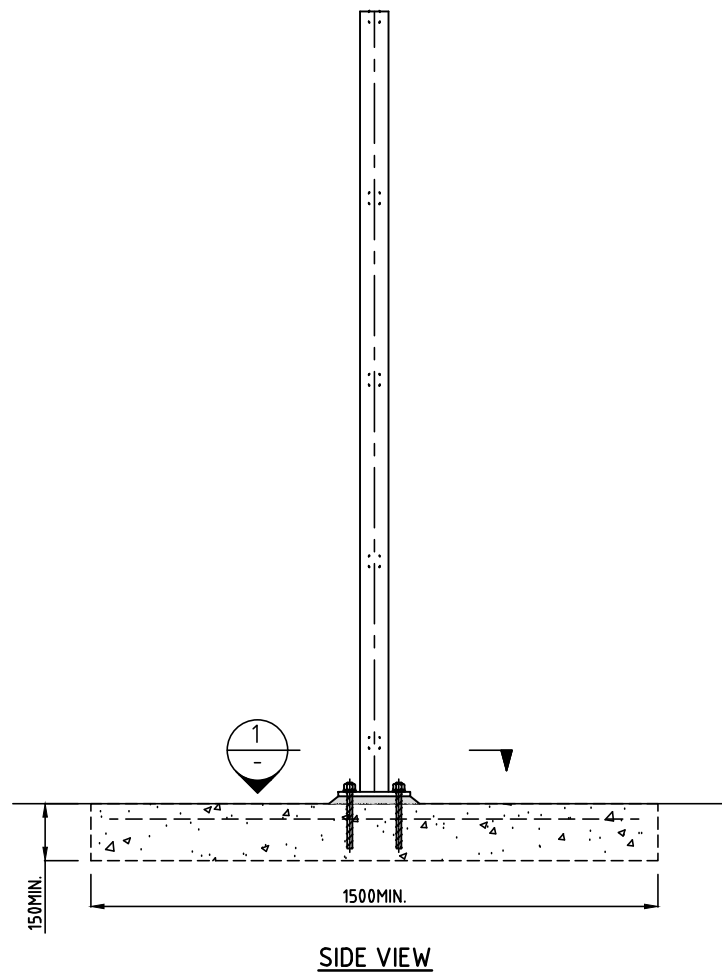
CAUTION!

1. CONTRACTOR TO USE "DIAL BEFORE YOU DIG" PRIOR TO COMMENCEMENT OF ANY SITE WORKS.
2. CONTRACTOR TO ENSURE THAT NEW WORKS DO NOT DAMAGE ANY EXISTING SERVICES. CONTRACTOR TO LOCATE ALL EXISTING ABOVEGROUND AND UNDERGROUND SERVICES IN THE VICINITY OF THE SITE WORKS.
3. DUE CARE SHOULD BE MAINTAINED WHEN WORKING AND EXCAVATING IN ALL AREAS.
4. CONTRACTOR TO PROVIDE ALL SAFETY BARRIERS AND WARNING SIGNS DURING CONSTRUCTION.

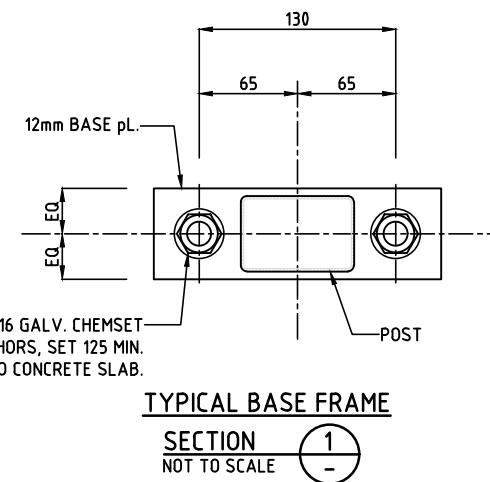


FRONT VIEW

FRAMING ELEVATIONS
NOT TO SCALE



SIDE VIEW



TYPICAL BASE FRAME

SECTION **1**
NOT TO SCALE

DRAWING IS TYPICAL ONLY. OBTAIN ENGINEERING STRUCTURAL CERTIFICATE BEFORE CONSTRUCTION.

WARNING

BEWARE OF UNDERGROUND SERVICES. THE LOCATIONS OF UNDERGROUND SERVICES ARE APPROXIMATE ONLY AND THEIR EXACT POSITION SHOULD BE PROVEN ON SITE. NO GUARANTEE IS GIVEN THAT ALL EXISTING SERVICES ARE SHOWN.

DRAWN	CNM	CHECKED	DW
DATE	07.11.2016	DATE	07.11.2016
DESIGNED	JM	CHECKED	
DATE	07.11.2016	DATE	
DESIGN LEADER	S.HATZI	DESIGN DIRECTOR	S.JACKSON
DATE	15/09/2017	DATE	15/09/2017



STANDARD DRAWINGS
BUS SHELTERS & ASSOCIATED INFRASTRUCTURE

TAXI-MINIBUS TOTEM - TYPE 1
FIXING TO EXISTING SLAB STRUCTURAL DETAILS

No.	DESCRIPTION	DATE	NAME	DEPT/COMPANY
0	ISSUED AS A STANDARD DRAWING	SEPT 2017	J.LEESON	EES/DIPL
AMENDMENTS				

FILE No.	ASSET No.	SHEET No.	DRAWING No.	AMEND.	SHEET SIZE
-	-	3 OF 4	CS3722	0	A1