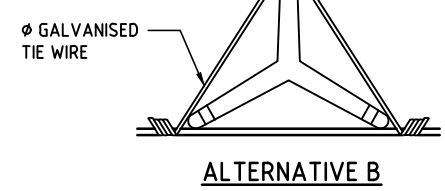
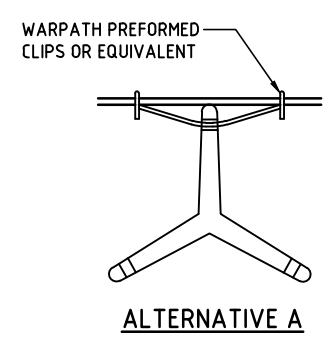


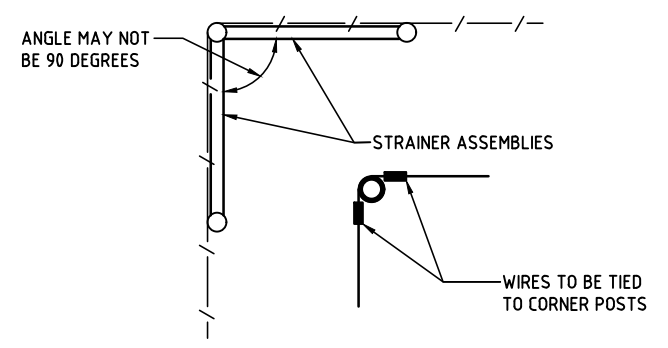
STRAINER CONNECTION
NOT TO SCALE

NOTES:

- GALVANISING: -ALL METAL PARTS USED IN FENCE TO BE HOT DIP GALVANISED TO AS 4680-2006 AND AS 2423-2002 UNLESS OTHERWISE STATED.
- STRAINING: STRAIN OF ALTERNATIVE WIRE TYPES IN ACCORDANCE WITH THE MANUFACTURES DIRECTIONS: E.G. 2.5mm FLEXIBLE - STRAIN TO 1.4kN. 2.5mm TYEASY - STRAIN TO 2.0kN. 1.57mm BARBED - STRAIN TO 1.1kN.
- STRAINER ASSEMBLY TO BE INSTALLED AT CHANGES OF DIRECTION AND GRADE, AND AT 400m MAXIMUM CENTRES WITH IOWA WIRE 500m CENTRES WITH HIGH TENSILE WIRE.
- CONCRETE FOOTINGS TO BE N25 CONCRETE.
- ALTERNATIVE FOOTING CONSTRUCTION (E.G. CONSTRUCTION BY WATER JETTING, AND HYDRAULIC RAMMING.) - CONTRACTOR TO SUBMIT ALTERNATIVES FOR APPROVAL. THE COMPLETED STRAINER ASSEMBLY IS REQUIRED TO BE ABLE TO WITHSTAND A TEST LOAD OF 8.5kN APPLIED TO THE TOP CORNER OF THE ASSEMBLY FOR A PERIOD OF 15 MINUTES. IMMEDIATELY PRIOR TO THE TEST BEING CARRIED OUT, THE GROUND IS TO BE PRE-SATURATED. DURING THE TEST THERE SHALL BE NO OTHER FENCE WIRES ATTACHED TO THE STRAINER. STRAINER ARRANGEMENT PASSING THE LOAD TEST WITHOUT FAILURE ARE DEEMED SATISFIED FOR THE PURPOSE.
- GATES:
 - INSTALL GATES IN ROAD RESERVE BOUNDARIES AT APPROVED LOCATIONS ONLY.
 - GATE TYPE AND LOCKING DEVICE, IF ANY, SHALL BE APPROVED BY THE SUPERINTENDENT PRIOR TO INSTALLATION.
 - INSTALL PROPRIETY BRAND GATES IN ACCORDANCE WITH MANUFACTURES SPECIFICATIONS.
 - INSTALL STRAINER ASSEMBLY EACH SIDE OF GATE OPENING IN ACCORDANCE WITH APPROVED ACCESS WIDTH. IF TEMPORARY, GATES SHALL BE REMOVED AND FENCE REINSTATED BETWEEN STRAINER ASSEMBLIES.
- ALL DIMENSIONS ARE IN MILLIMETRES UNLESS NOTED OTHERWISE.



STAR PICKET FIXING
NOT TO SCALE



WARNING

BWARE OF UNDERGROUND SERVICES. THE LOCATIONS OF UNDERGROUND SERVICES ARE APPROXIMATE ONLY AND THEIR EXACT POSITION SHOULD BE PROVEN ON SITE. NO GUARANTEE IS GIVEN THAT ALL EXISTING SERVICES ARE SHOWN.

DRAWN J.LEESON	CHECKED S.HATZI
DATE MAY 2017	DATE MAY 2017
DESIGNED W.H.A.M.	CHECKED
DATE AUG 2001	DATE
DESIGN LEADER S.HATZI	DESIGN DIRECTOR S.JACKSON
DATE 1/09/2017	DATE 1/09/2017



STANDARD DRAWINGS KERBING, FENCING & LANDSCAPING	
STOCK FENCE DESIGN AND DETAILS	
FILE No.	ASSET No.
-	-
SHEET No.	DRAWING No.
1 OF 1	CS3310
AMEND.	SHEET SIZE
0	A1

No.	DESCRIPTION	DATE	NAME	DEPT/COMPANY
0	ISSUED AS A STANDARD DRAWING	SEPT 2017	J.LEESON	EES/DIPL
AMENDMENTS				