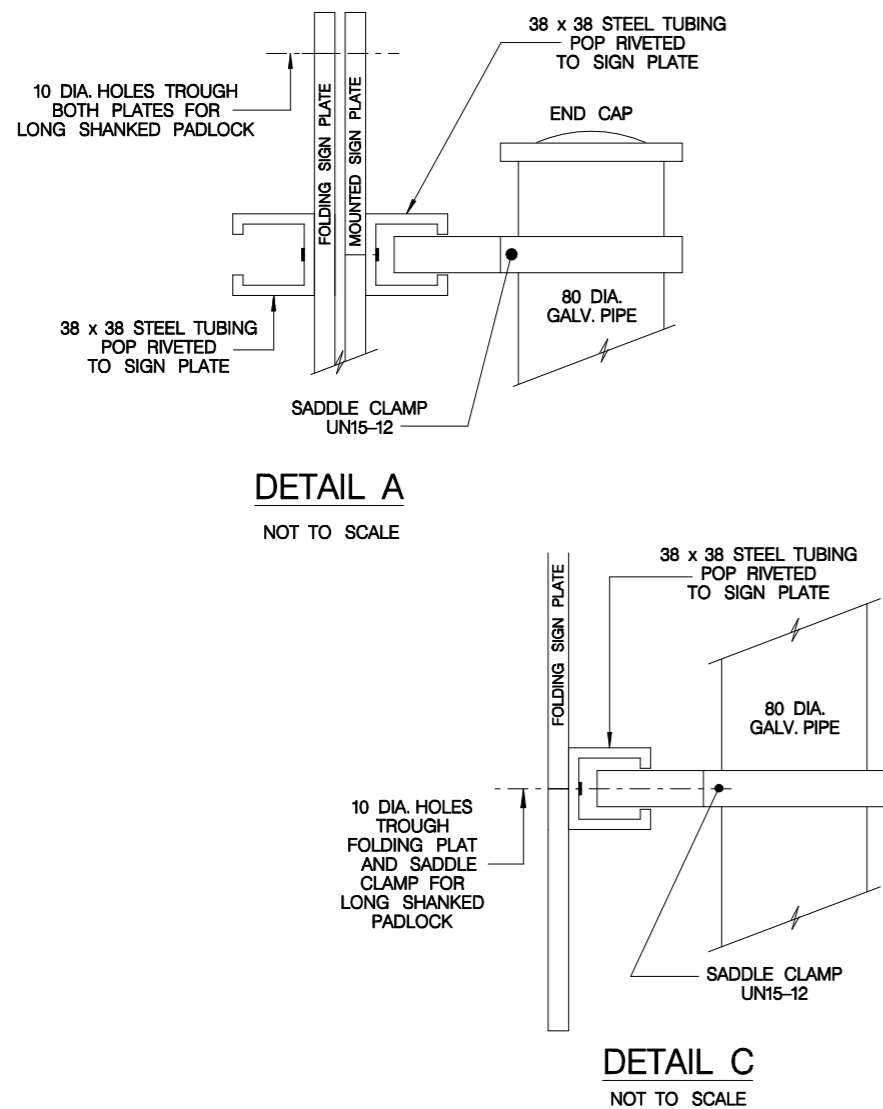
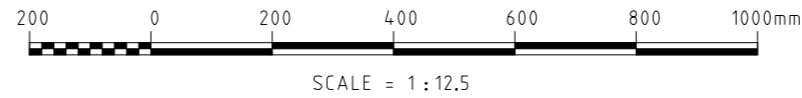


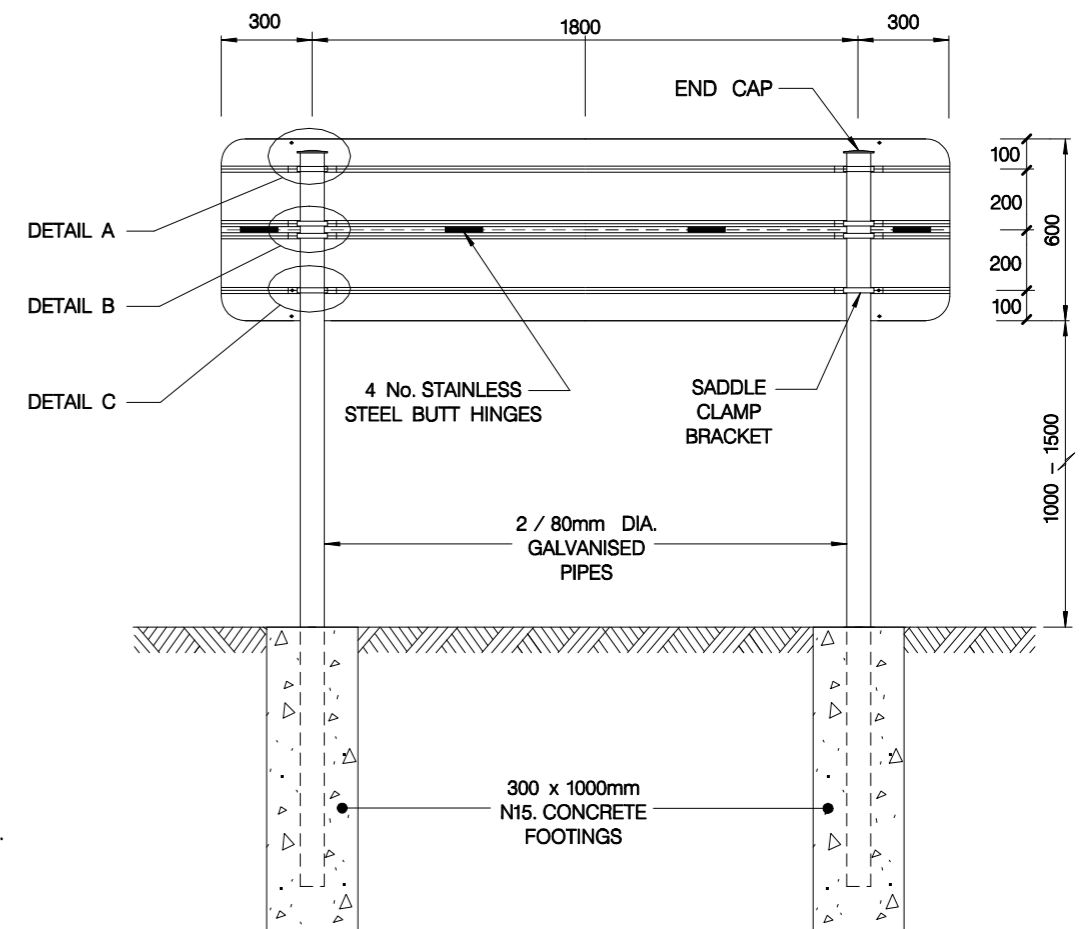
SIGN 2
SIGN FACE



DETAIL A
NOT TO SCALE

DETAIL B
NOT TO SCALE

DETAIL C
NOT TO SCALE



ELEVATION
NOT TO SCALE

NOTES

1. BACKGROUND OF SIGN TO BE WHITE CLASS 1 IN COLOR.
2. THE SIGN IS TO BE CONSTRUCTED IN ACCORDANCE WITH THE STANDARD SPECIFICATION FOR MANUFACTURING SIGNS.
3. PROVIDE SUITABLE LONG SHANKED PADLOCK TO SECURE TOP HALF OF SIGN WHEN IN USE. HOLES AND BRACKET TO BE FIXED ON SUPPORT POSTS TO SUPERINTENDANTS SPECIFICATIONS.

THIS STANDARD DRAWING WAS CREATED FROM DRAWING NUMBER : R02-1519

| | | | |
|-----------------------|--------------|-----------------|-----------|
| DRAWN | K.S. | CHECKED | W.H.A.M. |
| DATE | JULY 2002 | DATE | JULY 2002 |
| DESIGNED | | CHECKED | |
| DATE | | DATE | |
| DESIGN PROJECT LEADER | | PROJECT OFFICER | |
| DATE | 18 JUNE 2002 | DATE | |



STANDARD DRAWING
ROAD CLOSURE SIGN

| No. | DESCRIPTION | DATE | INIT. |
|------------|-------------|------|-------|
| AMENDMENTS | | | |

| | | | | |
|----------|-----------|----------------|--------|------------|
| FILE No. | SHEET No. | DRAWING NUMBER | AMEND. | SHEET SIZE |
| | 1 OF 1 | C(S)1840 - 0 | | A1 |