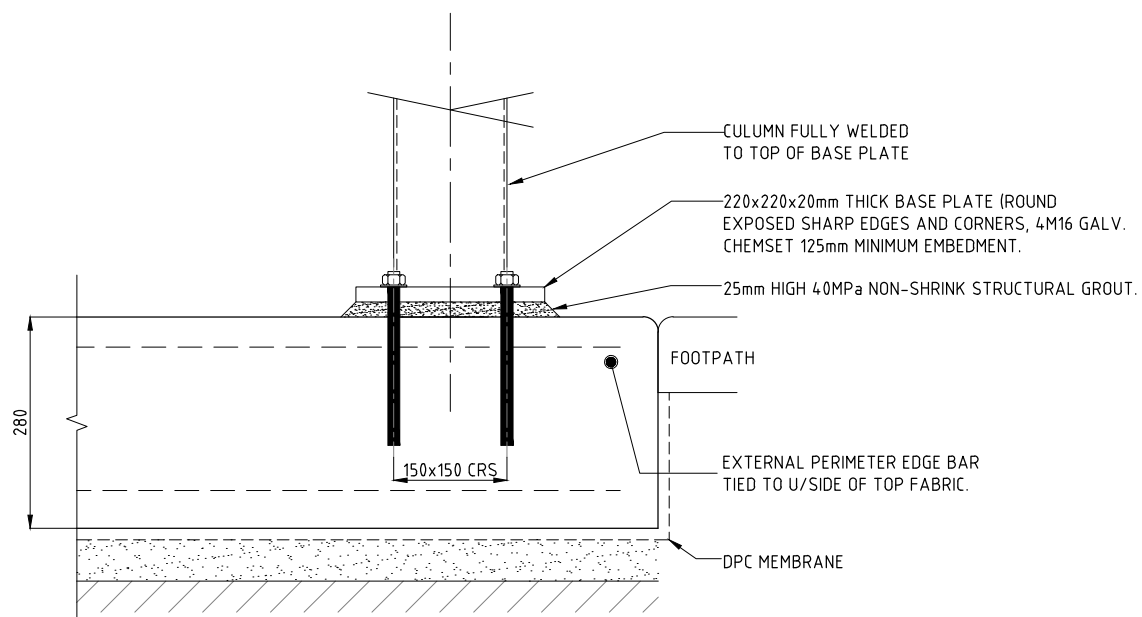


SLAB LAYOUT PLAN (OPTION 2)

SCALE B

NOTES:

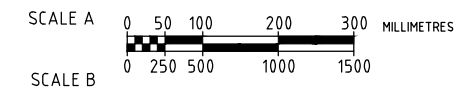
- 280 THICK N32 (32MPa) CONCRETE WITH SL81 MESH TOP & BOTTOM. 40 COVER, 2 LAYERS
0.2mm THICK DPC UNDERLAY ON 50mm SAND BED.
- 1-N16 PERIMETER BAR TIED TO U/SIDE OF TOP FABRIC 50mm EDGE COVER, PROVIDE
800x800xN16 CORNER LAP BAR.



TYPICAL COLUMN FIXING TO SLAB DETAIL

SECTION 1
SCALE A

CONCURRED STRUCTURAL ONLY
NORTHERN TERRITORY GOVERNMENT
DEPARTMENT OF INFRASTRUCTURE, PLANNING & LOGISTICS
Level 4, Highway House, Palmerston Circuit, Palmerston
PO Box 61, Palmerston NT 0831
Signed: *Jorge Mu* 15/07/19
Registration No.: 33896ES



DRAWING IS TYPICAL ONLY. OBTAIN BUILDING PERMIT BEFORE CONSTRUCTION.

No.	DESCRIPTION	DATE	NAME	DEPT/COMPANY
3	REISSUED WITH AMENDED CERTIFICATE	JUL 2019	S.SHI	EES/DIPL
2	REISSUED AS STANDARD DRAWING	OCT 2018	N.V.	EES/DIPL
1	MINOR AMENDMENT	APR 2018	N.V.	EES/DIPL
0	ISSUED AS A STANDARD DRAWING	SEPT 2017	J.LEESON	EES/DIPL
AMENDMENTS				

WARNING
BEWARE OF UNDERGROUND SERVICES.
THE LOCATIONS OF UNDERGROUND SERVICES ARE APPROXIMATE ONLY AND THEIR EXACT POSITION SHOULD BE PROVEN ON SITE. NO GUARANTEE IS GIVEN THAT ALL EXISTING SERVICES ARE SHOWN.

DRAWN CARDNO	CHECKED CARDNO
DATE 14.02.17	DATE 14.02.17
DESIGNED CARDNO	CHECKED CARDNO
DATE 14.02.17	DATE 14.02.17
DESIGN LEADER S.HATZI	DESIGN DIRECTOR S.JACKSON
DATE 15/09/2017	DATE 15/09/2017



STANDARD DRAWINGS BUS SHELTERS & ASSOCIATED INFRASTRUCTURE					
SHELTER - TYPE 14C - 4 BAY SLAB LAYOUT PLAN AND DETAIL (OPTION 2)					
FILE No.	ASSET No.	SHEET No.	DRAWING No.	AMEND.	SHEET SIZE
-	-	5 OF 6	CS3712	3	A1