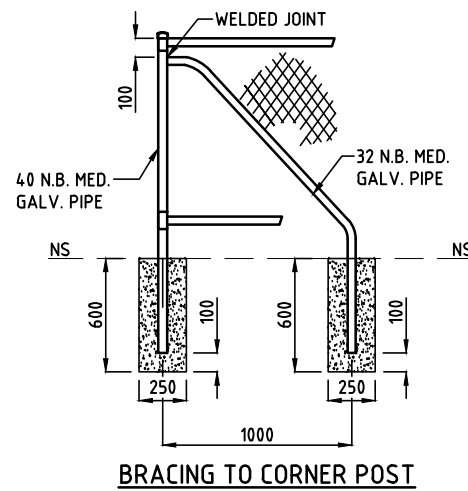


STREET FRONTAGE



BRACING TO CORNER POST

OVERALL HEIGHT	H	h MESH WIDTH
1390mm	865mm	600mm
1540mm	1015mm	750mm
1690mm	1165mm	900mm

**NOTES:**

1. ALL POSTS, RAILS, BRACING AND GATES TO BE OF MEDIUM GALV. PIPE.
2. MESH SHALL BE 2-5mm HEAVILY GALVANISED.
3. ALL CONNECTIONS TO BE MADE WITH STANDARD GALV. FITTINGS UNLESS OTHERWISE NOTED. - HINGES, CATCHES ETC. TO BE GALVANISED.
4. JOINTS IN RAILS TO BE MADE ONLY AT POSTS.
5. STANDARD GALV. CAPS ARE TO BE FITTING WHERE CORNER GATE POSTS PROJECT ABOVE THE TOP RAIL OF THE FENCE.
6. LACING WIRE SHALL BE 1.6 GALVANISED.
7. FOOTINGS TO BE TO THE DEPTH SHOWN AND 250 DIA. - CONCRETE SHALL BE N25, MIXED AND PLACED ACCORDING TO THE DEPARTMENT SPECIFICATIONS FOR ROAD WORKS. FOOTINGS SHALL BE WEATHERED TO SHED WATER AWAY FROM THE POSTS.
8. THE FENCE SHALL BE CONSTRUCTED ON THE LINES SHOWN ON THE SITE PLAN.
9. IF THE FENCE IS ERECTED ON THE BOUNDARY OF N.T. GOVERNMENT PROPERTY THE OUTER FACE OF THE FENCE SHALL BE ON THE BOUNDARY LINE AND THE POSTS ON N.T. GOVERNMENT LAND. IF THE FENCE IS WHOLLY ON N.T. GOVERNMENT LAND THE CHAINWIRE MESH SHALL BE ON THE SIDE SHOWN ON THE SITE PLAN, OR (IF NOT SHOWN) AS DIRECTED.
10. ALL DIMENSIONS ARE IN MILLIMETRES UNLESS NOTED OTHERWISE

**WARNING**

BEWARE OF UNDERGROUND SERVICES. THE LOCATIONS OF UNDERGROUND SERVICES ARE APPROXIMATE ONLY AND THEIR EXACT POSITION SHOULD BE PROVEN ON SITE. NO GUARANTEE IS GIVEN THAT ALL EXISTING SERVICES ARE SHOWN.

DRAWN J.LEESON	CHECKED S.HATZI
DATE MAY 2017	DATE MAY 2017
DESIGNED	CHECKED D.BELL
DATE	DATE NOV 1979
DESIGN LEADER S.HATZI	DESIGN DIRECTOR S.JACKSON
DATE 1/09/2017	DATE 1/09/2017



STANDARD DRAWINGS  
KERBING, FENCING & LANDSCAPING

**DOMESTIC TYPE CHAINWIRE MESH FENCE & GATES**

No.	DESCRIPTION	DATE	NAME	DEPT/COMPANY
0	ISSUED AS A STANDARD DRAWING	SEPT 2017	J.LEESON	EES/DIPL
AMENDMENTS				

FILE No.	ASSET No.	SHEET No.	DRAWING No.	AMEND.	SHEET SIZE
-	-	1 OF 1	CS3309	0	A1