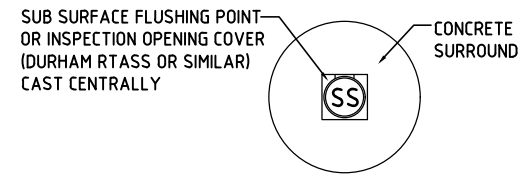
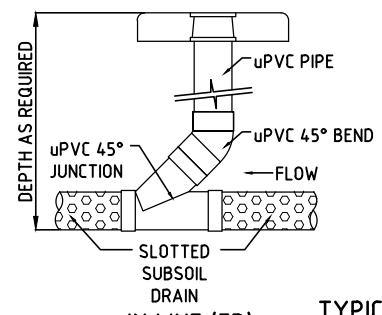


INSPECTION OPENING (IO)
NOT TO SCALE

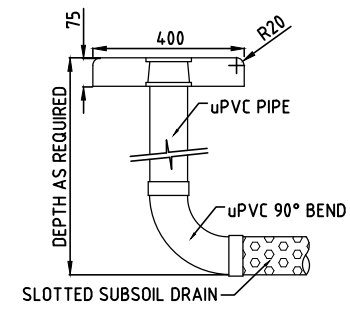


SUBSOIL DRAIN COVER (S)
NOT TO SCALE

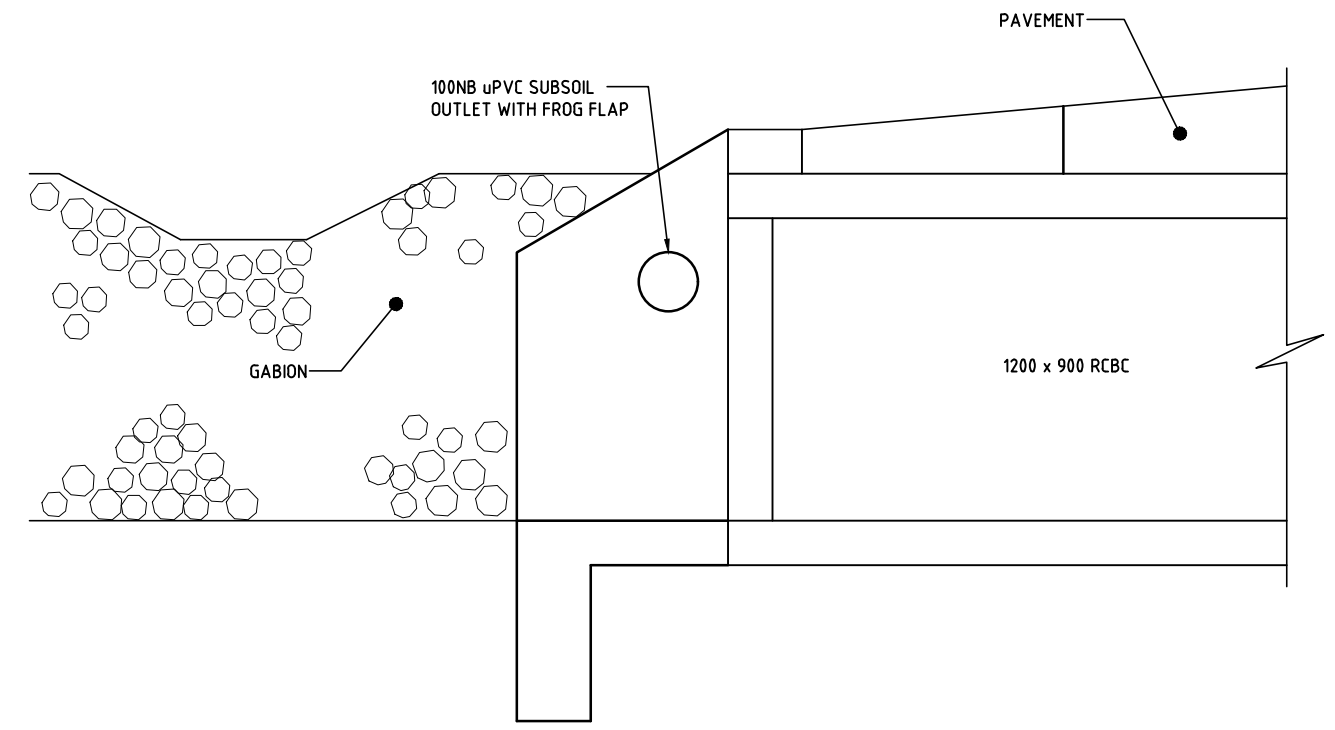


IN LINE (FP)
NOT TO SCALE

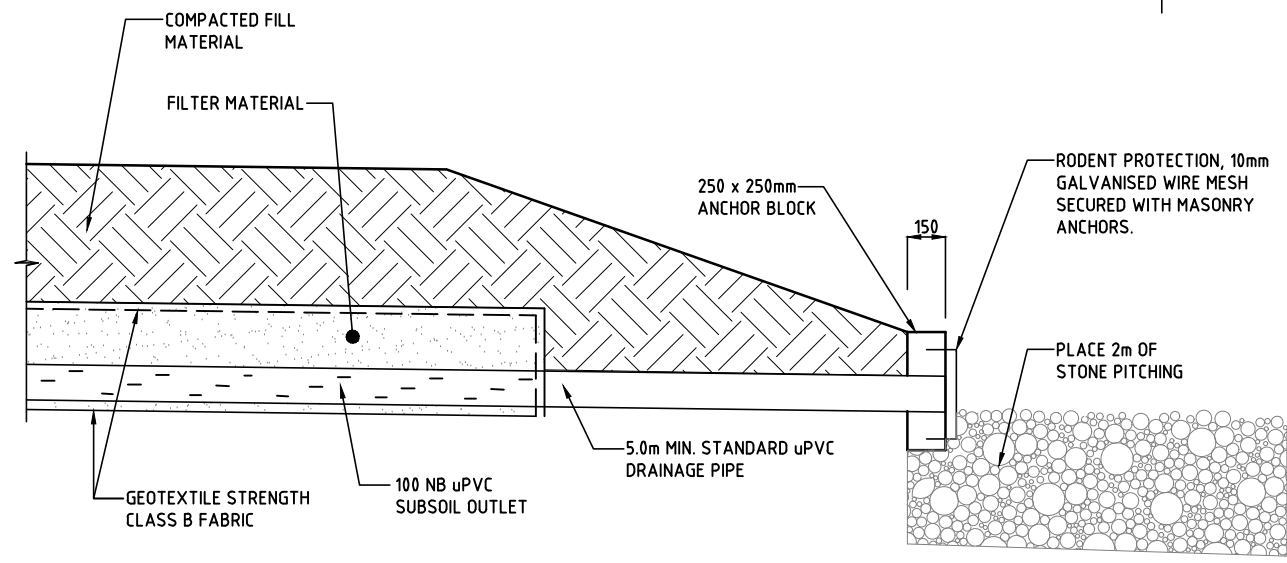
TYPICAL SUBSOIL DRAIN FLUSHING POINTS (FP)
NOT TO SCALE



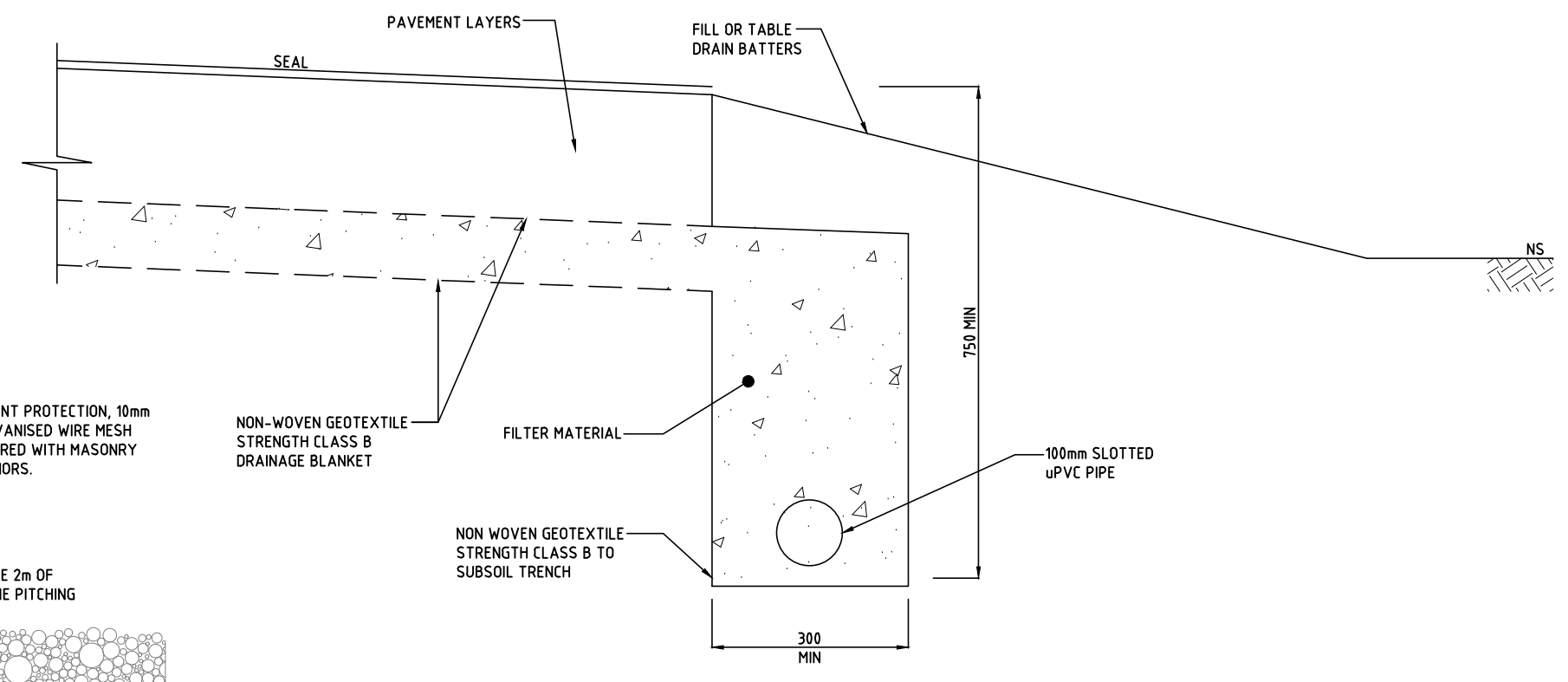
END OF LINE (FP)
NOT TO SCALE



ALTERNATIVE SUBSOIL DRAINAGE OUTLET DETAIL
NOT TO SCALE



SUBSOIL DRAINAGE OUTLET DETAIL
NOT TO SCALE



DRAINAGE BLANKET & SUBSOIL DRAIN
NOT TO SCALE

NOTES:
ALL DIMENSIONS ARE IN MILLIMETRES UNLESS NOTED OTHERWISE.

No.	DESCRIPTION	DATE	NAME	DEPT./COMPANY
0	ISSUED AS A STANDARD DRAWING	SEPT 2017	J.LEESON	EES/DIPL
AMENDMENTS				

WARNING
BEWARE OF UNDERGROUND SERVICES. THE LOCATIONS OF UNDERGROUND SERVICES ARE APPROXIMATE ONLY AND THEIR EXACT POSITION SHOULD BE PROVEN ON SITE. NO GUARANTEE IS GIVEN THAT ALL EXISTING SERVICES ARE SHOWN.

DRAWN J.LEESON	CHECKED S.HATZI
DATE AUG 2017	DATE AUG 2017
DESIGNED	CHECKED
DATE	DATE
DESIGN LEADER S.HATZI	DESIGN DIRECTOR S.JACKSON
DATE 1/09/2017	DATE 1/09/2017



STANDARD DRAWINGS DRAINAGE				
TYPICAL SUBSOIL AND DRAINAGE BLANKET DETAILS FOR RURAL AREAS				
FILE No.	ASSET No.	SHEET No.	DRAWING No.	AMEND.
-	-	1 OF 1	CS3122	0
				SHEET SIZE A1