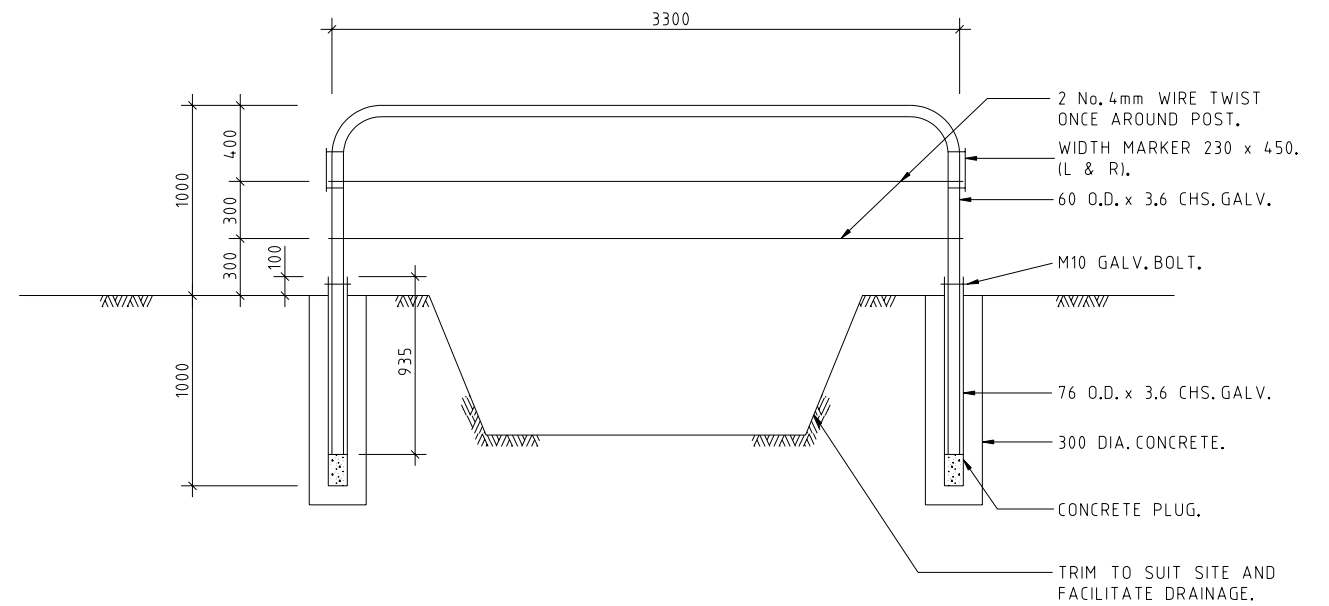
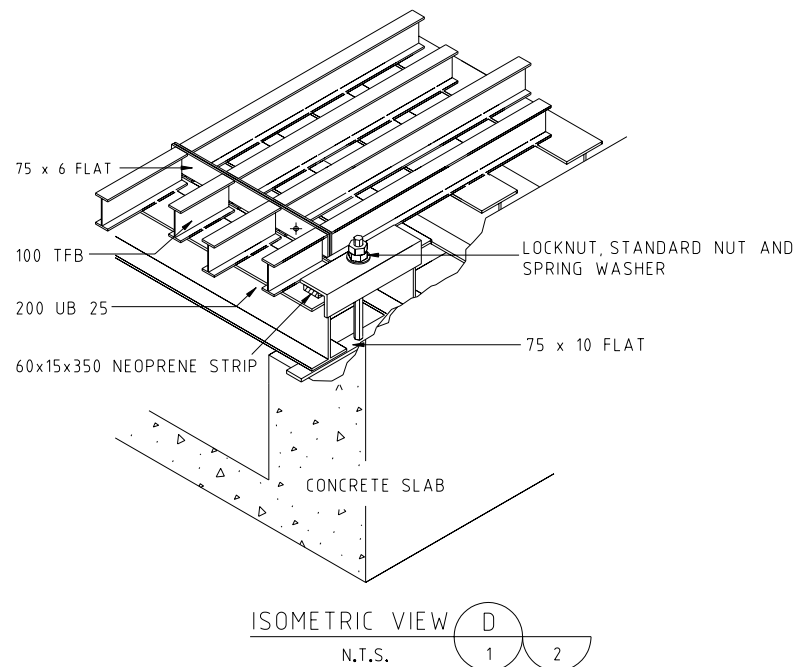


SECTION C  
SCALE 1:10



DETAIL 2  
SCALE 1:20



ISOMETRIC VIEW D  
N.T.S.


READ IN CONJUNCTION WITH  
C(S)1313 AND C(S)1314

NOTES

1. COMPACT SUBGRADE BENEATH THE APPROACH SLAB AND UNDER THE CONCRETE TROUGH PART OF THE CATTLEGRID TO 95% M.M.D. TO DEPTH OF 250mm MIN.
2. ALL CONCRETE WORK TO COMPLY WITH A.S.3600.
3. USE N25 CONCRETE.
4. CLEAR COVER TO REINFORCEMENT SHALL BE 50mm.
5. ALL EXPOSED CONCRETE SHALL HAVE STEEL TROWEL FINISH.
6. ALL STEEL WORK TO COMPLY WITH A.S.4100.
7. ALL WELDS SHALL BE 8mm FILLET WELDS, CONTINUOUS FOR FULL PERIMETER OF CONTACT UNLESS NOTED OTHERWISE.
8. USE GRADE 4,6 BOLTS U.N.O.
9. RECOMPACT UNSEALED PAVEMENT, FULL WIDTH, TO 95% M.M.D. 15m BOTH SIDES OF CONCRETE WORKS.
10.

NOMINAL FORMATION WIDTH	9000	11000
No. OF GRID PANELS	8	10
TOTAL GRID WIDTH	10000	12400
11. USE DURAMETER HARDNESS 55 NEOPRENE RUBBER STRIP.
12. PROVIDE APPROACH SLAB UNLESS OTHERWISE SPECIFIED.
13. IF INSTALLING GRID ON SEALED ROAD, BACK FILL EXCAVATION TO UNDERSIDE OF PAVEMENT WITH SELECTED FILL, AND REINSTATE PAVEMENT AND SEAL. COMPACT ALL BACK FILL AND PAVEMENT TO 95% M.M.D.

3/09/2003 11:40:24 AM X:\CIVIL STANDARD DRAWINGS\4\_FENCES\C(S)1315-2.dgn

2 1	STEEL NOTES UPDATED	3/9/2003	S.H.W.	C(S)1313 STANDARD CATTLE GRID PLAN AND SECTION WITH APPROACH SLAB C(S)1314 STANDARD CATTLE GRID PLAN AND SECTION WITHOUT APPROACH SLAB	DRAWN S.H.W.	CHECKED	 <b>Northern Territory Government</b> Department of Infrastructure, Planning and Environment	STANDARD DRAWING STANDARD CATTLE GRID DETAILS	
	GOVERNMENT DEPARTMENT LOGO ALTERED.	9/5/2002	S.H.W.		DATE MARCH 96	DATE			FILE No.
No.	DESCRIPTION	DATE	INIT.	No.	TITLE	DESIGN PROJECT LEADER <i>G.A. Curran</i>	PROJECT OFFICER	DRAWING NUMBER C(S)1315	
AMENDMENTS				ASSOCIATED DOCUMENTS		DATE 20/3/96	DATE	AMEND. 2	SHEET SIZE A1