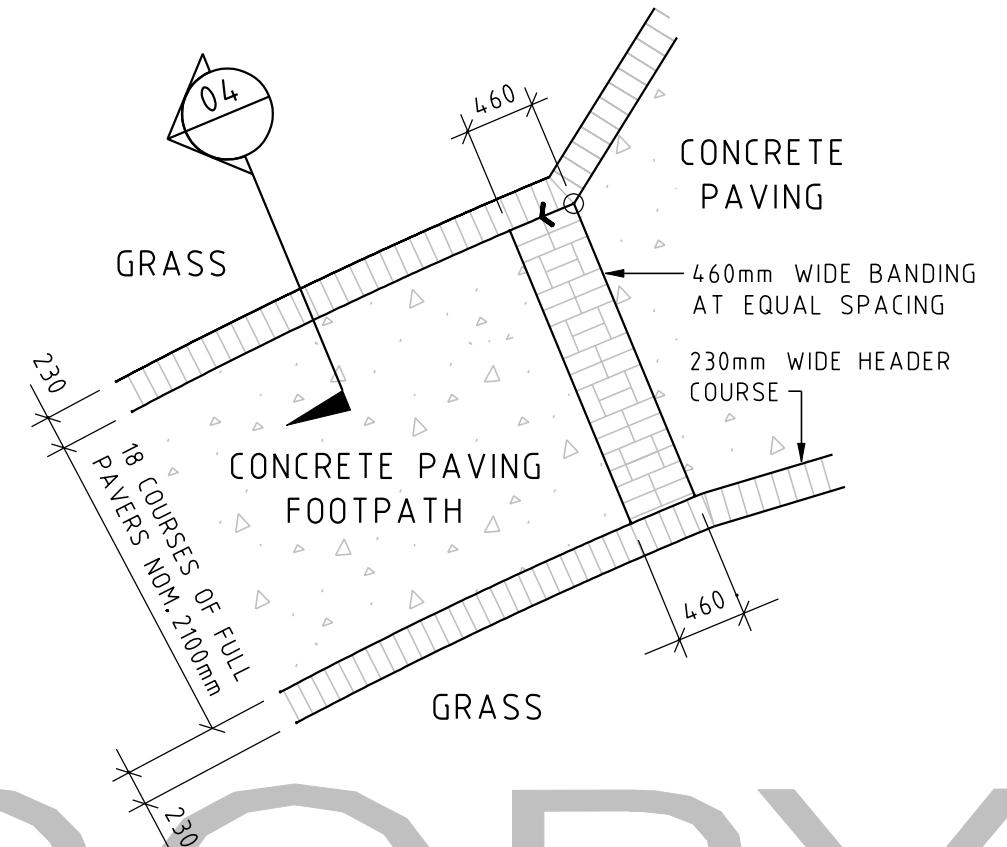
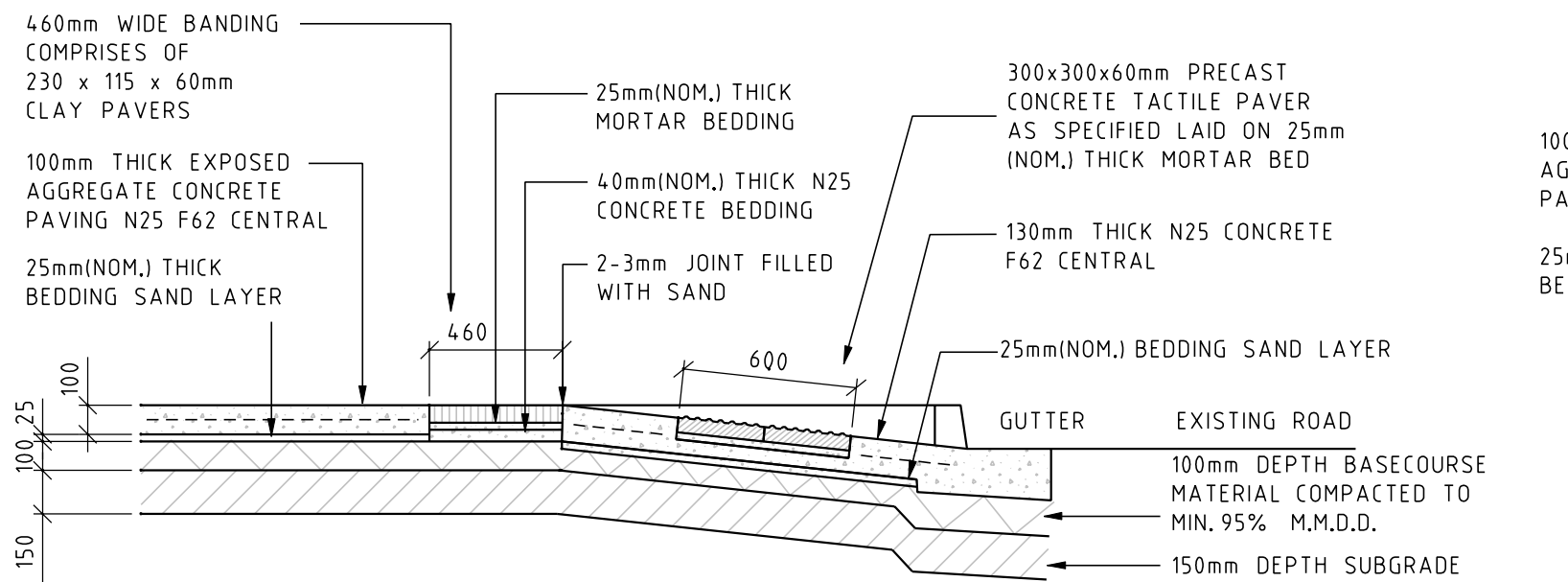


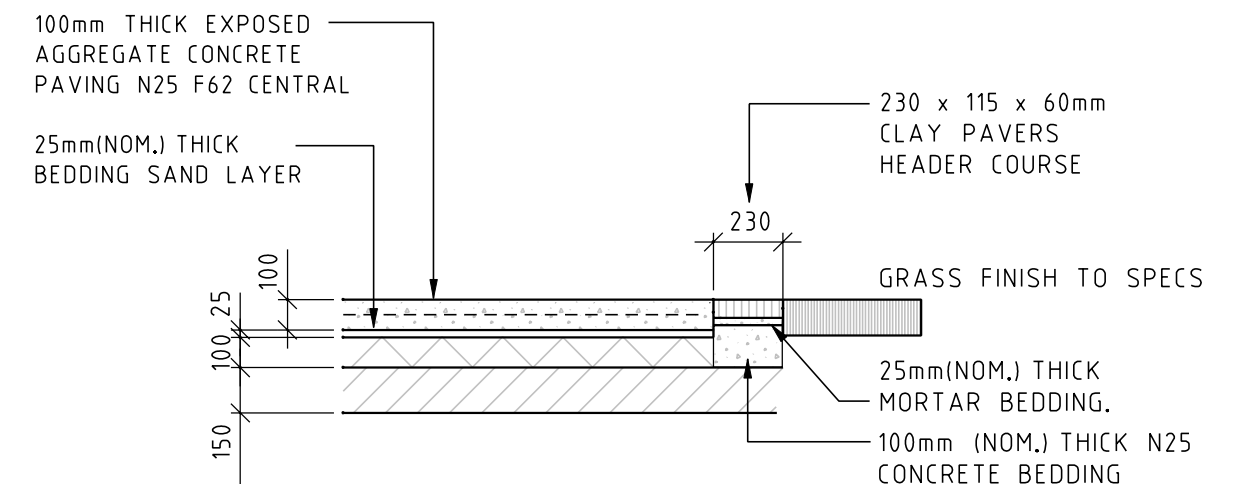
01 TYPICAL PLAN OF KERB RAMP WITH TACTILE PAVING SCALE 1:50 (A3)



02 TYPICAL PLAN OF FOOTPATH SCALE 1:50 (A3)

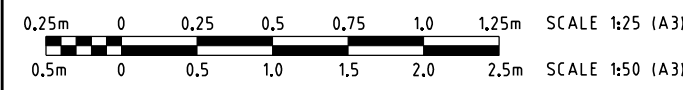


03 SECTION THROUGH KERB RAMP SCALE 1:25 (A3)



04 SECTION THROUGH FOOTPATH SCALE 1:25 (A3)

12/03/2003 2:41:42 PM X:\NTS\STANDARDS\3 KERBS (C/S)1207 - DRAFT ONL Y.dgn



DRAWN	CHECKED
DATE DESIGNED	DATE CHECKED
DATE DESIGN PROJECT LEADER	DATE PROJECT OFFICER
DATE	DATE


Northern Territory Government
 Department of Infrastructure, Planning and Environment

STANDARD DRAWING TACTILE PAVING		FILE No.	SHEET No. 1 OF 1	DRAWING NUMBER C(s) 1207	AMEND. A1
------------------------------------	--	----------	---------------------	-----------------------------	--------------

No.	DESCRIPTION	DATE	INIT.
AMENDMENTS			