

LEGEND

SS 2.0mm THICK RIMEX 6WL TEXTURED MILD STEEL PANEL OR EQUAL APPROVED. PAINT FINISH.

PM 2mm THICK LOCKER GROUP PERFORATED MESH SHEET (R07962)

TT LOCATION OF NEW TIMETABLE HOLDER

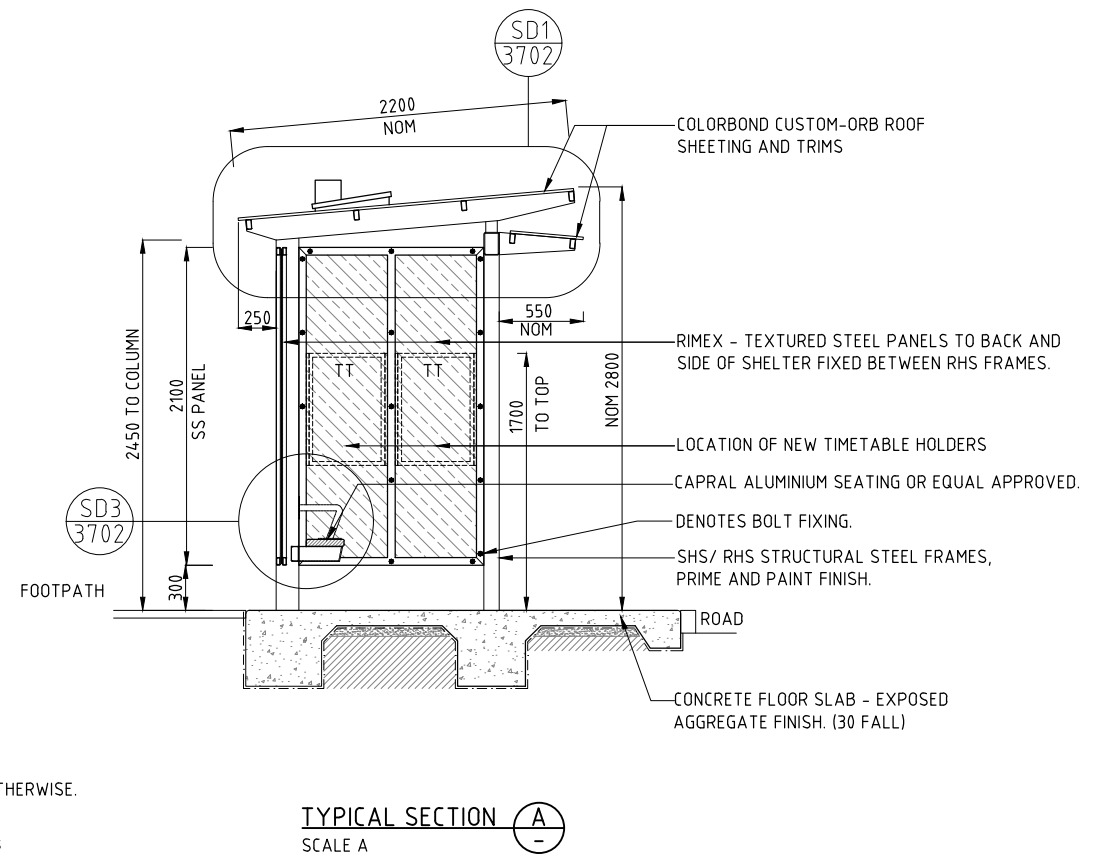
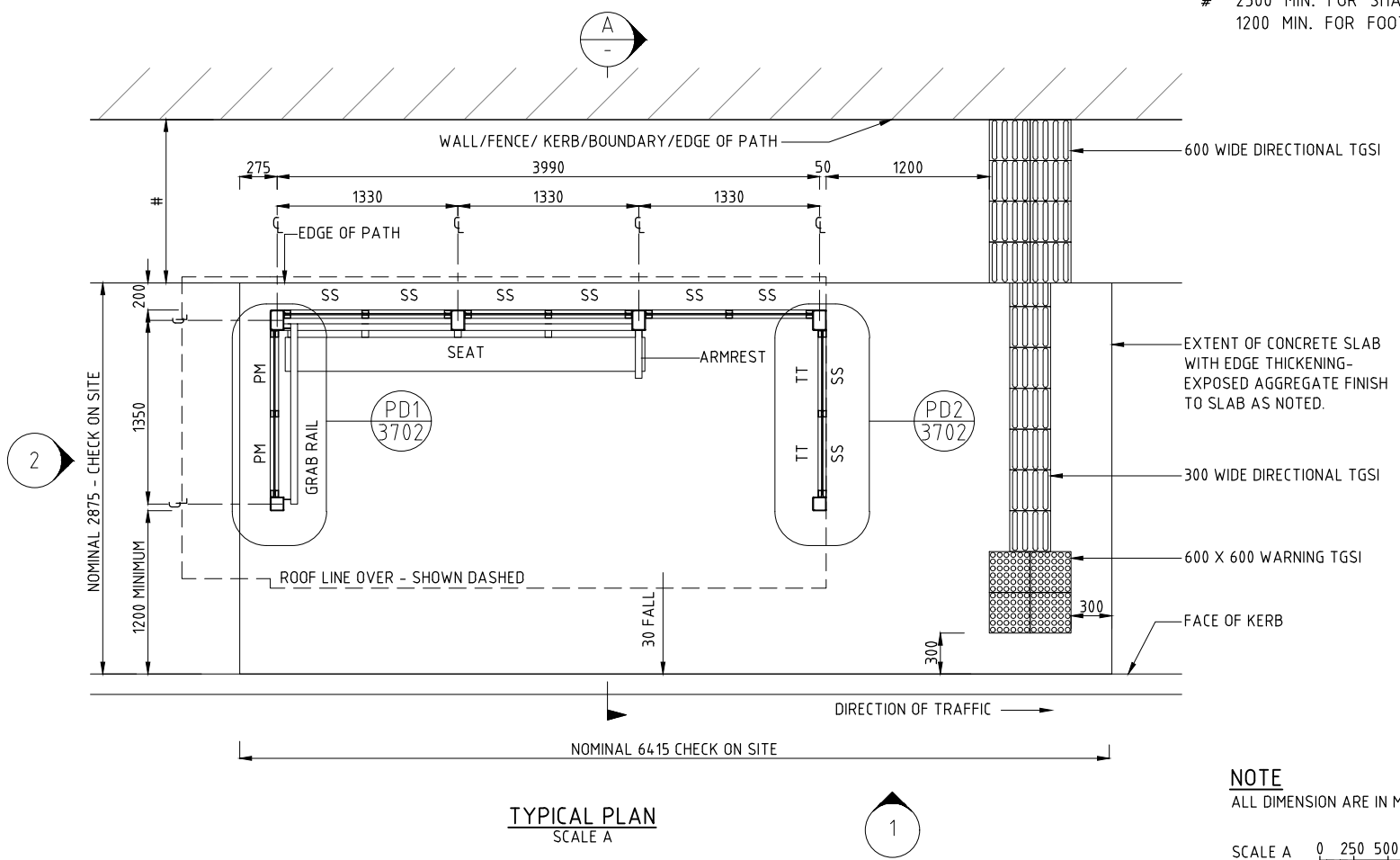
TGSI TACTILE GROUND SURFACE INDICATORS

2500 MIN. FOR SHARED PATH
1200 MIN. FOR FOOTPATH

CONCURRED STRUCTURAL ONLY

NORTHERN TERRITORY GOVERNMENT
DEPARTMENT OF INFRASTRUCTURE, PLANNING & LOGISTICS
Level 4, Highway House, Palmerston Circuit, Palmerston
PO Box 61, Palmerston NT 0831

Signed: *Jorge Mu* 15/07/19
Registration No.: 33896ES



NOTE
ALL DIMENSION ARE IN MILLIMETRES UNLESS NOTED OTHERWISE.

SCALE A 0 250 500 1000 1500 MILLIMETRES

DRAWING IS TYPICAL ONLY. OBTAIN BUILDING PERMIT BEFORE CONSTRUCTION.

No.	DESCRIPTION	DATE	NAME	DEPT./COMPANY
4	REISSUED WITH AMENDED CERTIFICATE	JUL 2019	S.SHI	EES/DIPL
3	TYPICAL SEAT HEIGHT AMENDED	MAY 2019	S.SHI	EES/DIPL
2	MINOR AMENDMENT	OCT 2018	N.V.	EES/DIPL
1	MINOR AMENDMENT	APR 2018	N.V.	EES/DIPL
0	ISSUED AS A STANDARD DRAWING	SEPT 2017	J.LEESON	EES/DIPL
AMENDMENTS				

WARNING
BEWARE OF UNDERGROUND SERVICES. THE LOCATIONS OF UNDERGROUND SERVICES ARE APPROXIMATE ONLY AND THEIR EXACT POSITION SHOULD BE PROVEN ON SITE. NO GUARANTEE IS GIVEN THAT ALL EXISTING SERVICES ARE SHOWN.

DRAWN	CHECKED
CARDNO	CARDNO
DATE 14.02.17	DATE 14.02.17
DESIGNED	CHECKED
CARDNO	CARDNO
DATE 14.02.17	DATE 14.02.17
DESIGN LEADER	DESIGN DIRECTOR
S.HATZI	S.JACKSON
DATE 15/09/2017	DATE 15/09/2017



STANDARD DRAWINGS BUS SHELTERS & ASSOCIATED INFRASTRUCTURE				
SHELTER - TYPE 14A - 3 BAY TYPICAL PLAN, ELEVATION & SECTION				
FILE No.	ASSET No.	SHEET No.	DRAWING No.	AMEND.
-	-	2 OF 6	CS3701	4
				SHEET SIZE A1