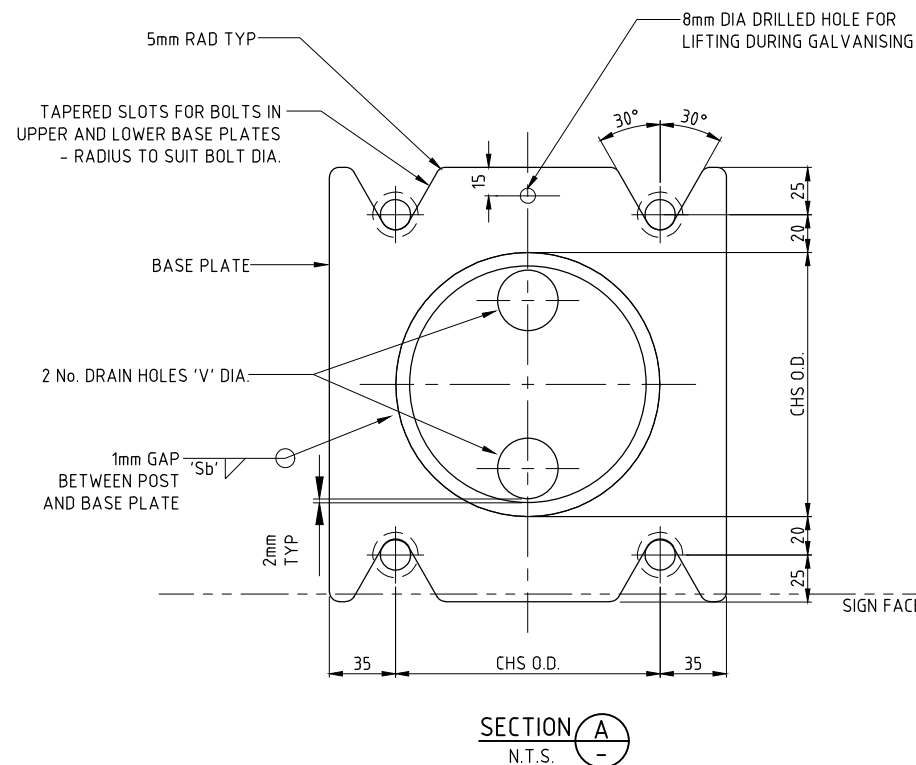
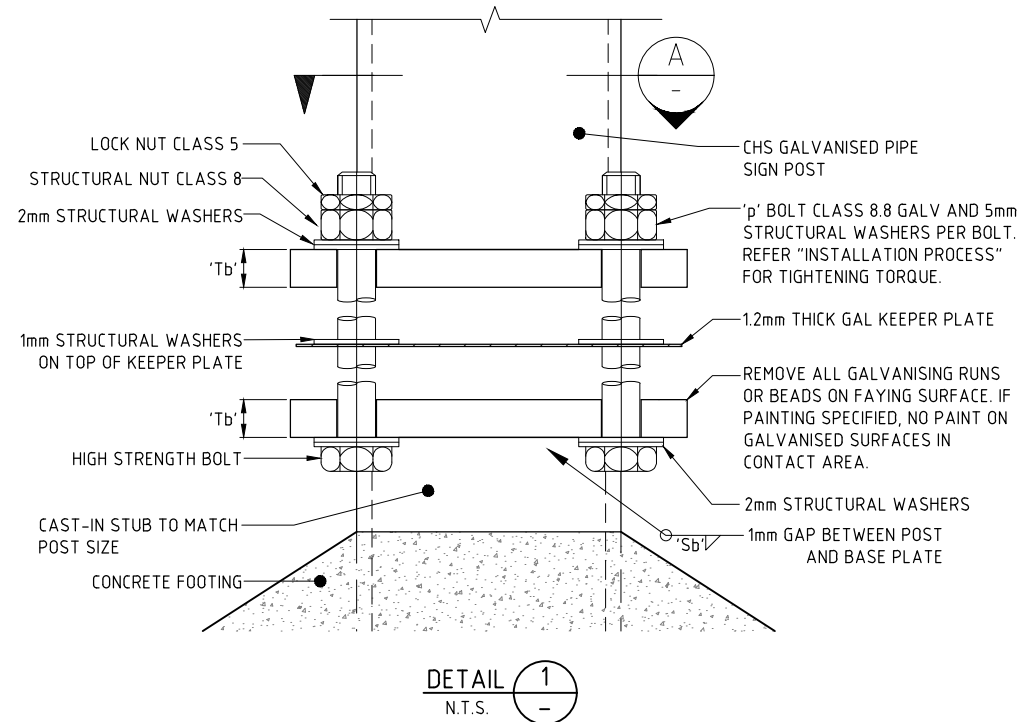


GENERAL NOTES:

- ALL DIMENSIONS ARE IN MILLIMETRES UNLESS NOTED OTHERWISE.
- MAXIMUM DESIGN CRITERIA APPLIED
 - REGION C
 - TERRAIN CATEGORY 2
 - DESIGN WIND SPEED 64/ms (ULS)
- ALL WELDS SHALL CONFORM TO AS/NZS 1554 AND BE 6mm CONTINUOUS "SP" FILLET WELDS OR FULL PENETRATION STRUCTURAL PURPOSE UNLESS OTHERWISE NOTED.
- ALL STEEL POSTS, CONTINUOUS STUBS & COMPONENTS MUST BE HOT DIP GALVANISED.

INSTALLATION PROCESS:

- HIGH STRENGTH GALVANISED BOLTS SHALL BE CLEANED, LIGHTLY OILED AND TENSIONED AS FOLLOWS:
 - M12 - 20Nm
 - M16 - 20Nm
- ASSEMBLE UPPER TO LOWER BASE PLATE WITH ONE STRUCTURAL WASHER ON EACH BOLT BETWEEN PLATES WITH WASHER ABOVE THE KEEPER PLATE.
- SEAL GAP BETWEEN BASE PLATES WITH CAULKING COMPOUND.
- TENSION THE STRUCTURAL NUT TO THE REQUIRED TENSION. INSTALL LOCK NUT AT TENSION UNTIL IT IS SNUG TIGHT. ENSURE STRUCTURAL BOLT AND NUT DO NOT TURN DURING THE INSTALLATION OF THE THIN NUT.



SLIP BASE DETAIL				
POST DIMENSION	'Tb'	'p'	'Sb'	'V'
76.1 OD (65NB)	10	M12	6	16
88.9 OD (80NB)	10	M12	6	16
101.6 OD (90NB)	12	M16	8	20
114.3 OD (100NB)	16	M16	8	25
139.7 OD (125NB)	20	M16	8	32

BEARING WASHER TABLE

BOLT SIZE	WASHER SIZE	HOLE DIA
M12	24x24x10FL	14
M16	32x32x10FL	18

BREAK AWAY JOINT DETAILS

WARNING

BEWARE OF UNDERGROUND SERVICES. THE LOCATIONS OF UNDERGROUND SERVICES ARE APPROXIMATE ONLY AND THEIR EXACT POSITION SHOULD BE PROVEN ON SITE. NO GUARANTEE IS GIVEN THAT ALL EXISTING SERVICES ARE SHOWN.

No.	DESCRIPTION	DATE	NAME	DEPT./COMPANY
3	MINOR CHANGES	JAN 2024	D. LLANO	DIPL
2	MORE POST SIZE ADDED TO THE TABLE	JAN 2021	N.V.	EES/DIPL
1	VARIOUS POST SIZES ADDED	DEC 2020	N.V.	EES/DIPL
0	ISSUED AS A STANDARD DRAWING	SEPT 2017	J. LEESON	EES/DIPL

DRAWN J. LEESON	CHECKED B. O'DONNELL
DATE JAN 2016	DATE JAN 2016
DESIGNED B. O'DONNELL	CHECKED J. MU
DATE JAN 2016	DATE JAN 2016
DESIGN LEADER S. HATZI	DESIGN DIRECTOR S. JACKSON
DATE 1/09/2017	DATE 1/09/2017



STANDARD DRAWINGS
ROAD FURNITURE & SIGNS

SIGNPOST BREAK AWAY DETAILS

FILE No.	ASSET No.	SHEET No.	DRAWING No.	AMEND.	SHEET SIZE
		1 OF 1	CS-3508	3	A1