

**FOOTING PLAN**  
SCALE - 1:50



**ADDITIONAL REINFORCEMENT SCHEDULE...**

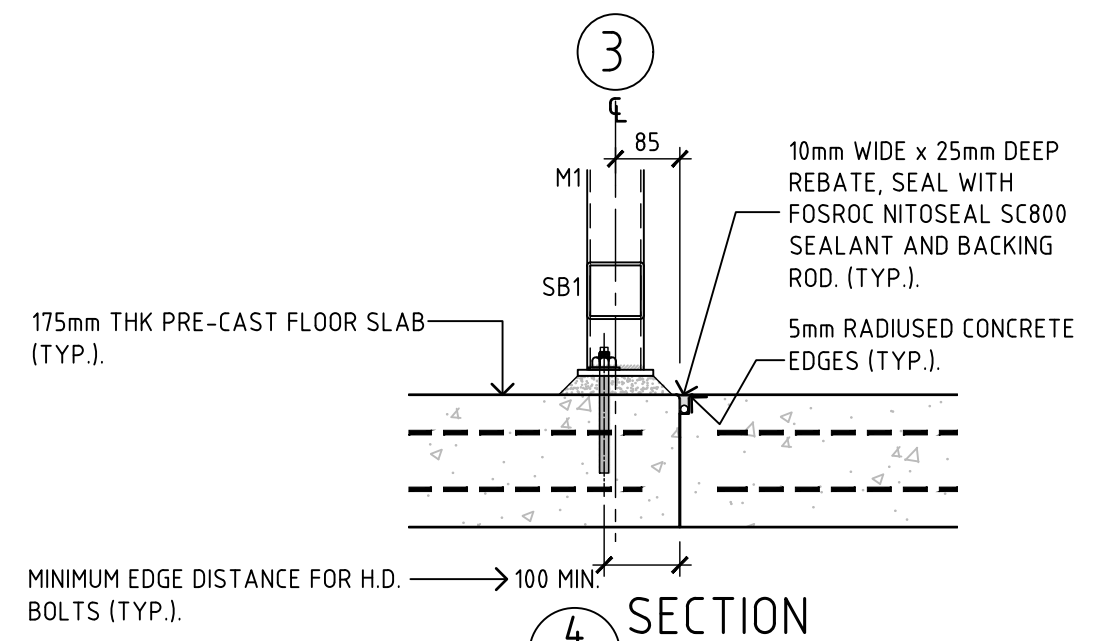
TYPE	DETAILS
Type 'A'	2 /N16 RE-ENTRANT BARS x 2500 LONG (75mm APART) TOP & BOTTOM
Type 'B'	2 /N12 RE-ENTRANT BARS x 2000 LONG (75mm APART) TOP & BOTTOM
Type 'C'	2 /N12 RE-ENTRANT BARS x 1200 LONG (75mm APART) TOP & BOTTOM
Type 'D'	2 /N12 RE-ENTRANT BARS x 900 LONG (75mm APART) TOP & BOTTOM
Type 'E'	2 /N12 RE-ENTRANT BARS x 1000 LONG (75mm APART CRANKED 45°) TOP & BOTTOM

**PRECAST CONCRETE NOTES:**

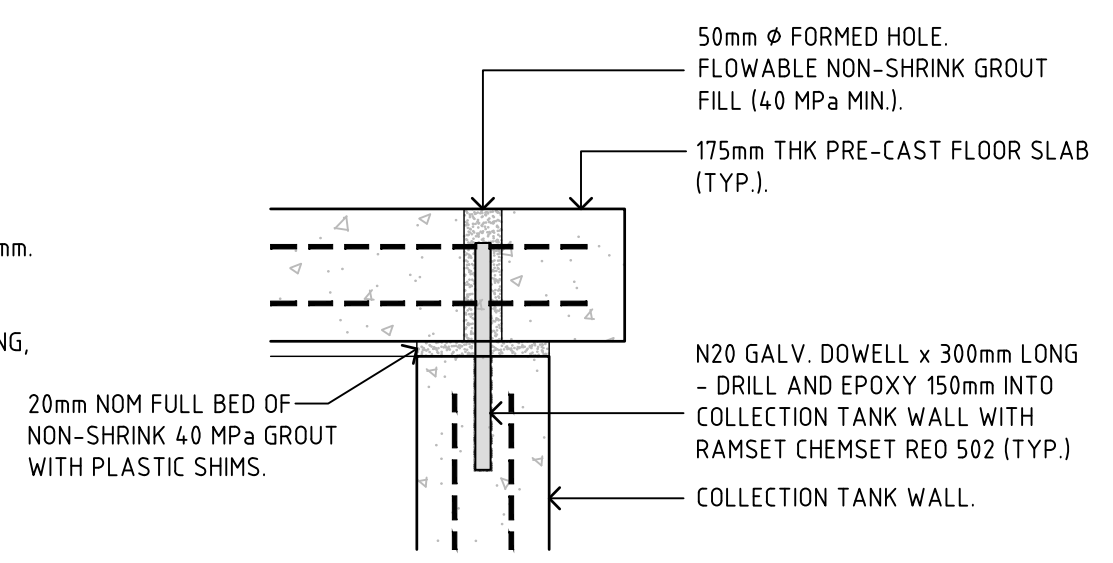
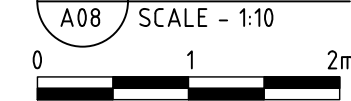
1. CONCRETE STRENGTH: 40MPa, REINFORCEMENT COVER: 30mm.
2. IT IS THE RESPONSIBILITY OF THE CONTRACTOR / PRECASTER TO DESIGN THE PANELS FOR LIFTING, HANDLING, ERECTION AND TEMPORARY BRACING.

**MEMBER SCHEDULE...**

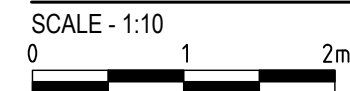
MEMBER No	DETAILS
WF 1 - WF 5	METAL STUD WALL - REFER DRAWING SHEET A11 FOR WALL FRAME ELEVATIONS AND NOTES.
C1	75 x 4.0 SHS COLUMN.
M1	75 x 3.0 SHS MULLION.
R1	125 x 75 x 4.0 RHS RAFTER.
P1	100 x 50 x 3.0 RHS PURLIN.
SB1	75 x 3.0 SHS SILL BEAM.
LB1	75 x 3.0 SHS LINTEL BEAM.



**SECTION 4 A08**  
SCALE - 1:10



**TYP. FLOOR SLAB TO TANK DOWELLED JOINT**  
SCALE - 1:10



No.	DESCRIPTION	DATE	INIT.	DEPT/COMPANY
0	ISSUED AS A STANDARD DRAWING	25/11/20	SG	DIPL
AMENDMENTS				
Plot Date: 25/11/2020				

DISCLAIMER  
THIS IS NOT A CONTROLLED DOCUMENT. VERIFY IT IS CURRENT BEFORE USE. THIS IS A REPRESENTATIONAL DRAWING. DO NOT ASSUME THAT THIS DRAWING IS COMPLETE, ACCURATE OR DRAWN EXACTLY TO SCALE. THIS DRAWING IS CERTIFIED AS IS AND ONLY FOR THIS PROJECT (UNLESS NOTED OTHERWISE). ANY ALTERATIONS OF THIS DRAWING IN ANY WAY RENDERS THE CERTIFICATION INVALID. USE OF INFORMATION FROM THIS DRAWING FOR ANY OTHER PROJECT OR OTHER ELEMENT OF THIS PROJECT REQUIRES VERIFICATION OF ITS ADEQUACY AND NEW CERTIFICATION ISSUED.

**CONCURRED STRUCTURAL ONLY**

NORTHERN TERRITORY GOVERNMENT  
DEPARTMENT OF INFRASTRUCTURE, PLANNING & LOGISTICS  
Level 4, Highway House, Palmerston Circuit, Palmerston  
PO Box 61, Palmerston NT 0831

Signed: *Jorge Mu* 25/11/20  
Registration No.: 33896ES

DRAWN	S.G.	CHECKED	-
DATE:	OCT. 2020	DATE:	-
DESIGNED	S.G.	CHECKED	-
DATE:	OCT. 2020	DATE:	-
DESIGN PROJECT LEADER	-	NTG PROJECT MANAGER	-
DATE:	-	DATE:	-



STANDARD DRAWINGS REST AREA INFRASTRUCTURE TOILET BLOCK				
FOOTING PLAN, SECTION 4 AND TYP FLOOR SLAB TO TANK DOWELLED JOINT.				
NTG PROJECT No.	NTG ASSET No.	SHEET No.	NTG DRAWING No.	AMENDMENT
-	-	A08 OF 15	CS3807	0
				SHEET SIZE A3