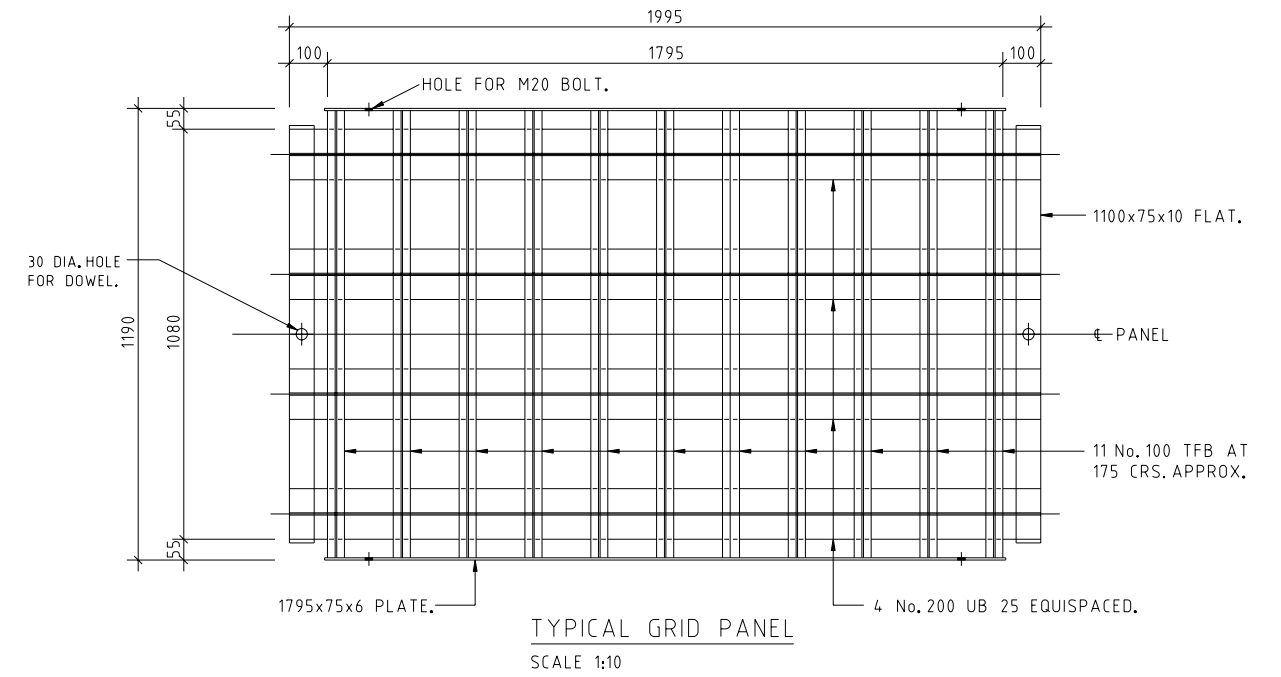
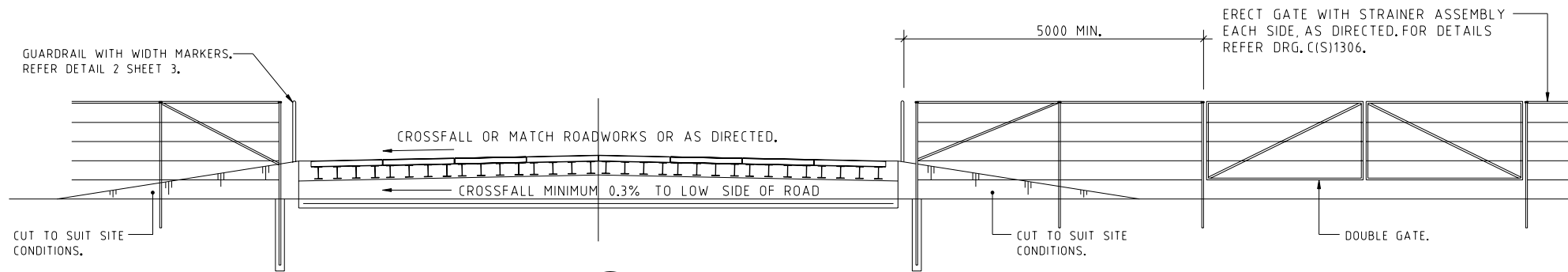


PLAN  
SCALE 1:50

- + DENOTES LOCATION OF CAST IN HOLDING DOWN BOLTS.
- DENOTES LOCATION OF LOCATING DOWELS.

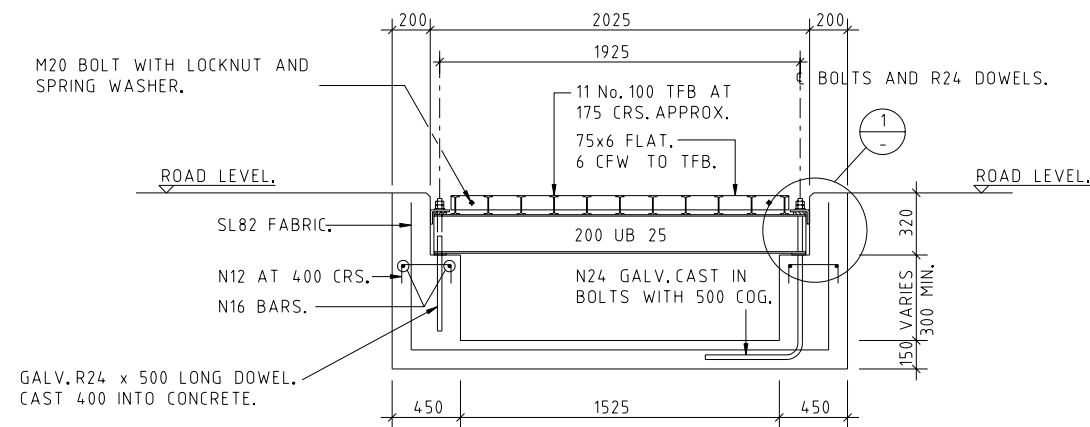


TYPICAL GRID PANEL  
SCALE 1:10

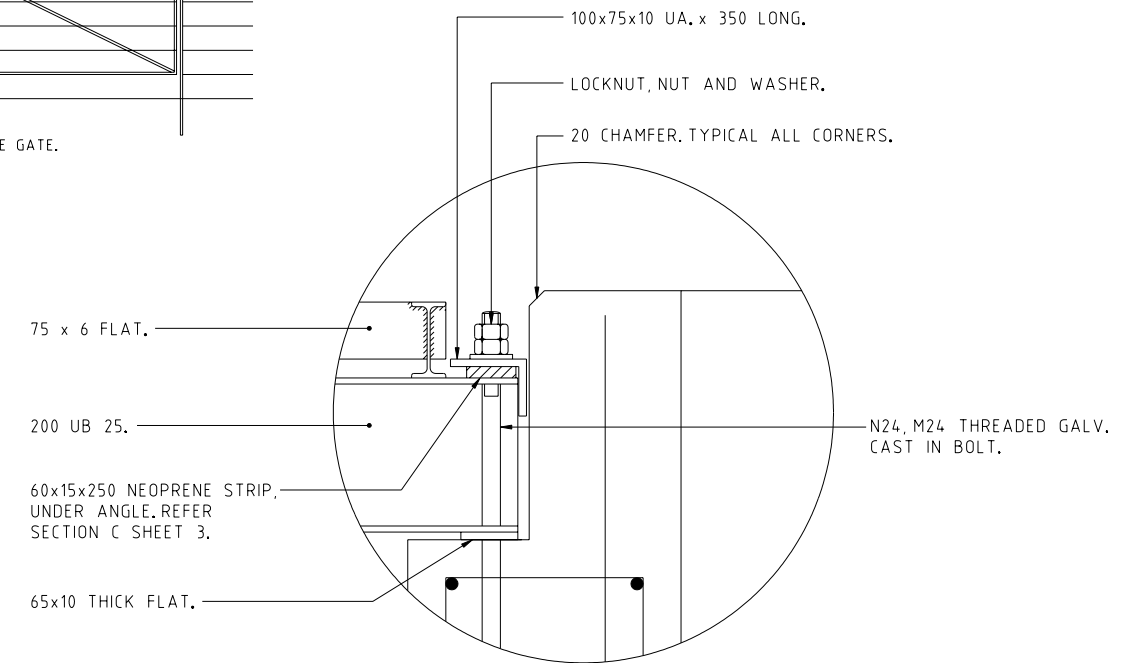


SECTION A  
SCALE 1:50

READ IN CONJUNCTION WITH  
C(S)1315 DETAILS



SECTION B  
SCALE 1:20



DETAIL 1 HOLD DOWN BOLT  
SCALE 1:5

3/09/2003 11:34:09 AM X:\CIVIL STANDARD DRAWINGS\4 FENCES\C(S)1314-2.dgn

2 STEEL NOTES UPDATED 1 GOVERNMENT DEPARTMENT LOGO ALTERED.		3/9/2003 9/5/2002	S.H.W. S.H.W.	(C)S1315 STANDARD CATTLE GRID DETAILS		DRAWN S.H.W. DATE MARCH 96 DESIGNED G.C. DATE MARCH 96 DESIGN PROJECT LEADER DATE 20/3/96	CHECKED DATE CHECKED DATE PROJECT OFFICER	<p><b>Northern Territory Government</b> Department of Infrastructure, Planning and Environment</p>	STANDARD DRAWING STANDARD CATTLE GRID PLAN AND SECTIONS WITHOUT APPROACH SLAB			FILE No.	SHEET No. 2 OF 3	DRAWING NUMBER C(S)1314	AMEND. 2	SHEET SIZE A1
AMENDMENTS				ASSOCIATED DOCUMENTS		DATE										