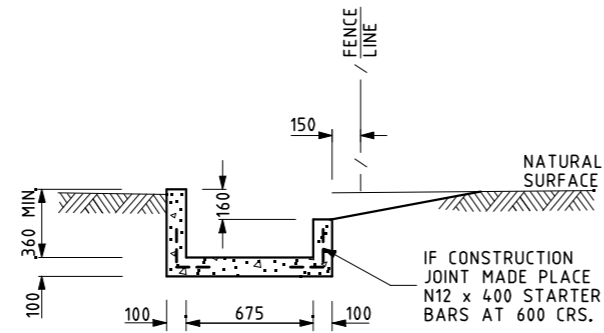
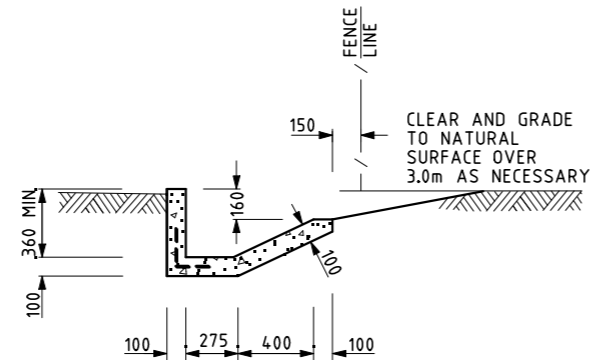


SECTION A-A

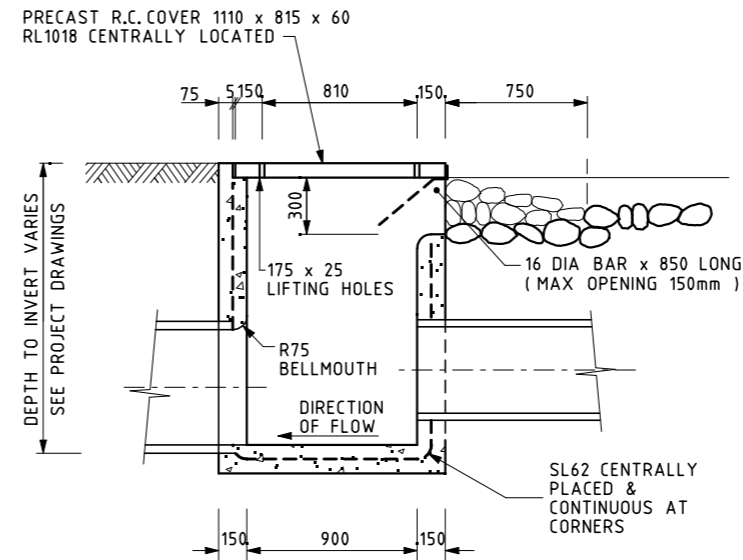


SECTION B-B

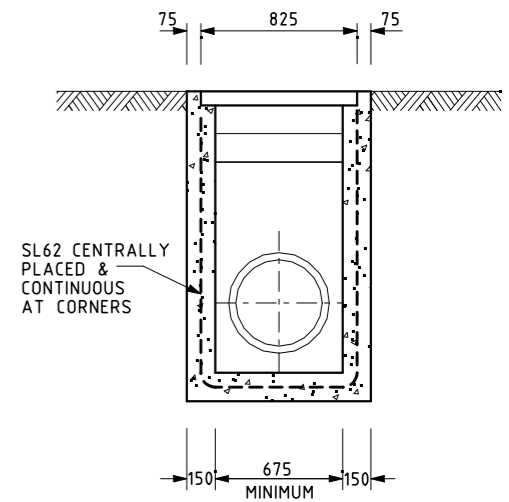


SECTION C-C

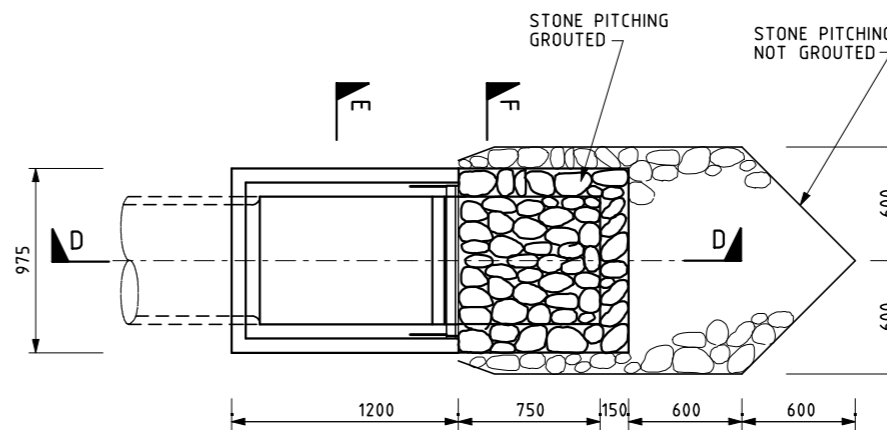
NOTE - DEPTH OF CATCH DRAIN MAY VARY REFER CONTRACT DRAWINGS



SECTION D-D



SECTION E-E



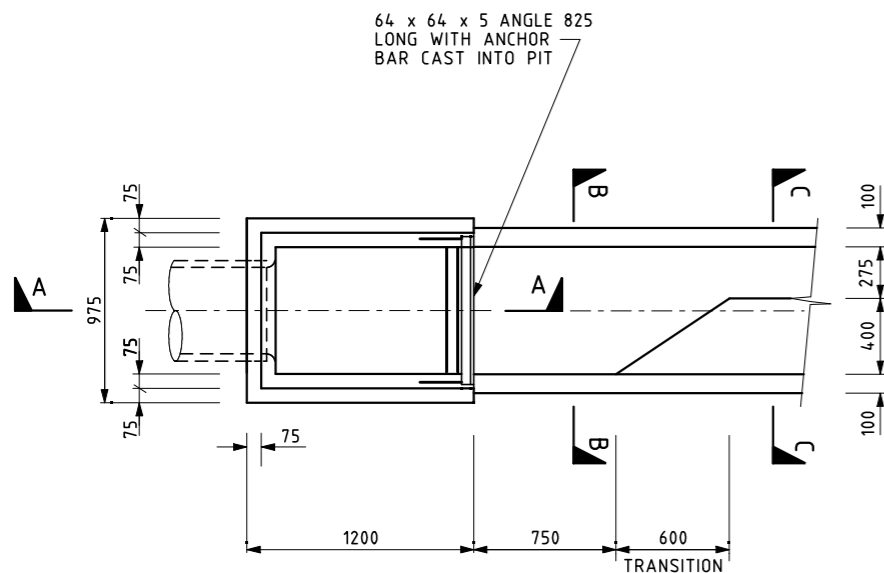
PLAN

(COVER REMOVED)

LETTERBOX PIT & STONEPITCHED GULLY

NOTES

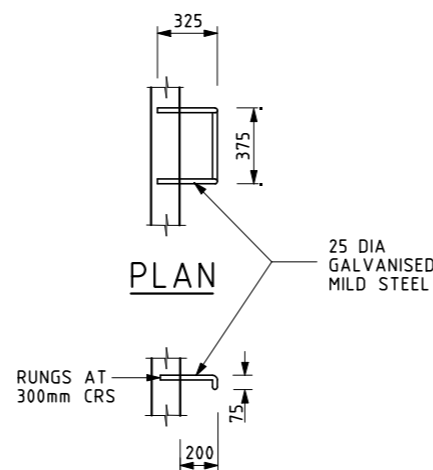
- REFER PROJECT DRAWINGS FOR ACTUAL PIPE LOCATION, ARRANGEMENTS SHOWN IN THIS DRAWING ARE DIAGRAMMATIC ONLY.
- STEP IRONS (SEE DETAIL) TO BE CAST INSITU AT 300 CTS. DEPTH TO TOP STEP & DEPTH FROM BOTTOM STEP TO INVERT NOT TO EXCEED 500mm
- USE N25 CONCRETE TO AS 1379 AND AS 3600. FOR ANY PATCHING OF PITS USE MORTAR MIXED WITH 'LOKCRETE' OR SIMILAR.
- FIBRECRETE CONCRETE MAY BE USED HOWEVER IF USED WITHOUT SEPARATE WALL REINFORCEMENT THEN ENGINEERING OF WALL THICKNESS IS REQUIRED
- ALL STEELWORK TO BE CLEANED AFTER FABRICATION & HOT DIPPED GALVANISED.
- PROVIDE STABILISED BACKFILL ADJACENT TO ALL DRAINAGE STRUCTURES IN ACCORDANCE WITH DEPARTMENT OF INFRASTRUCTURE, PLANNING & ENVIRONMENT STANDARD SPECIFICATION.



PLAN

(COVER REMOVED)

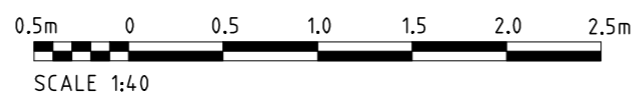
LETTERBOX PIT & CATCH DRAIN



ELEVATION

STEP IRON DETAIL

NOT TO SCALE



15/01/2007 3:44:59 PM X:\CIVIL STANDARD DRAWINGS\1 DRAINAGE\C(S)1010 - 1.dgn

REPLACES C(S)1004			
1	STEEL NOTES & GENERAL NOTES UPDATED.	AUG.03	S.M.
No.	DESCRIPTION	DATE	INIT.
	AMENDMENTS		

DRAWN	CHECKED
DATE	A.DAVIS
DESIGNED	DATE
	JUNE 2000
DATE	CHECKED
	S.DAVIS
DESIGN PROJECT LEADER	DATE
William M... ..	JUNE 2000
DATE	PROJECT OFFICER
21 MAY 2002	


Northern Territory Government
 Department of Planning and Infrastructure

STANDARD DRAWING	
CATCH DRAIN AND LETTER BOX PIT	
FILE No.	ASSEMBLY No.
SHEET No.	DRAWING No.
1 OF 1	C(S)1010 - 1
AMEND.	SHEET SIZE
	A1