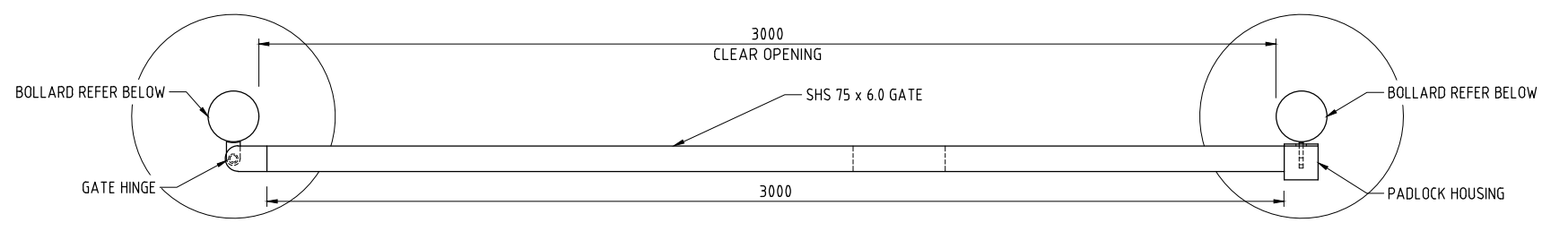
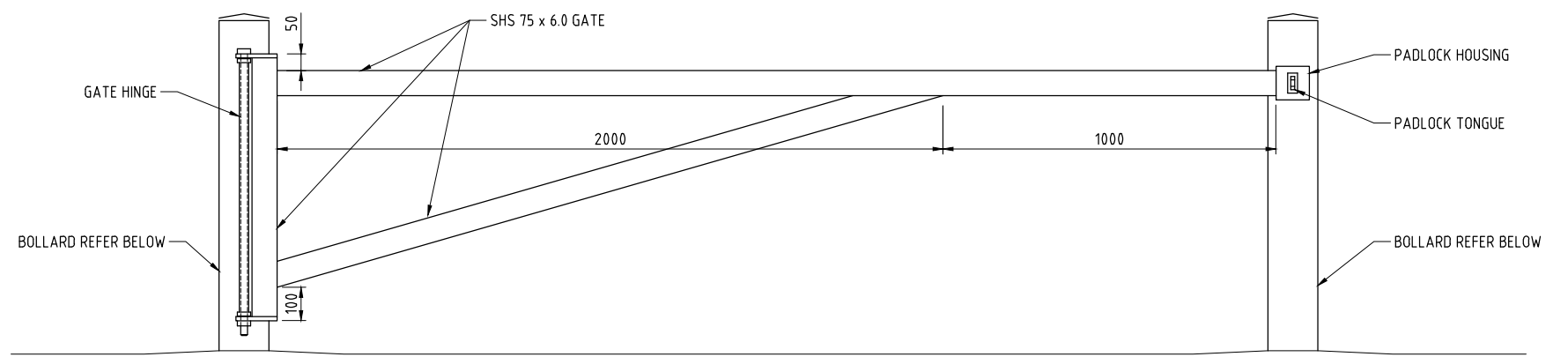


GATE HINGE SECTION



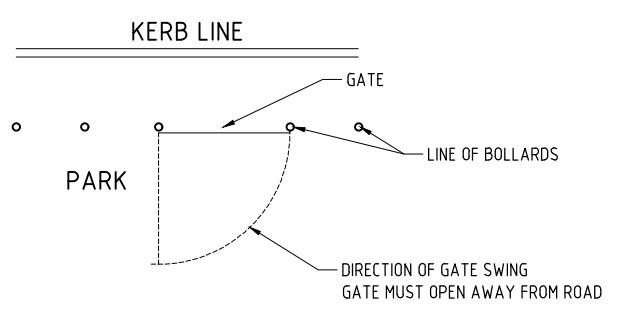
GATE PLAN



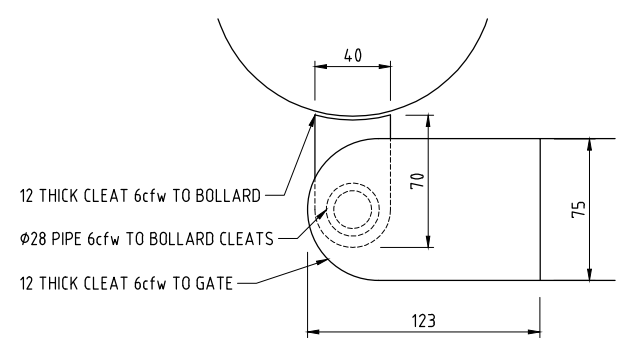
GATE ELEVATION

NOTES:

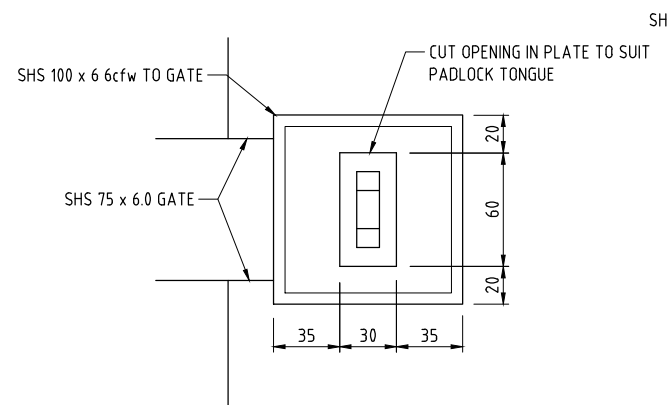
1. WELDED JOINTS TO BE CLEANED OF ALL SPURS.
2. WASH THE METAL SURFACE. ONCE DRY ETCH WITH WHITE VINEGAR.
3. PRIME WITH A METAL PRIMER AND PAINT WITH A WHITE ACRYLIC LATEX PAINT.
4. ALL DIMENSIONS ARE IN MILLIMETRES UNLESS NOTED OTHERWISE.



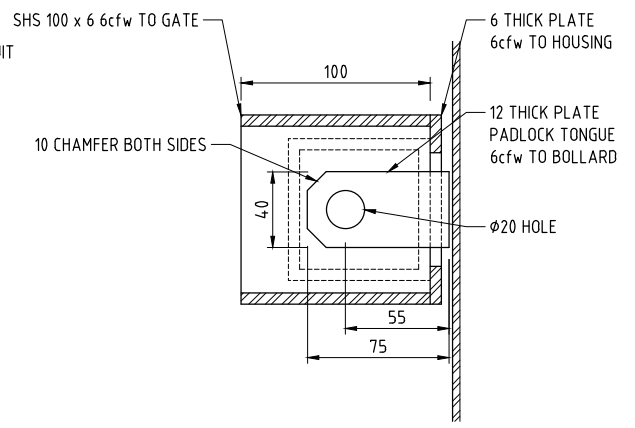
GATE LAYOUT



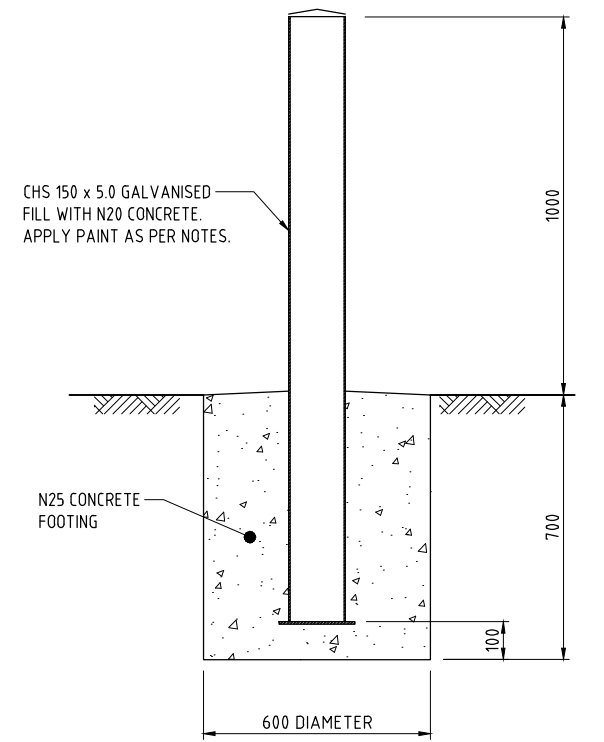
HINGE DETAIL



PADLOCK HOUSING ELEVATION



PADLOCK HOUSING SECTION



BOLLARD DETAIL

No.	DESCRIPTION	DATE	NAME	DEPT./COMPANY
1	GENERAL NOTES AMMENDED	FEB 2018	S.JALIL	EES/DIPL
0	ISSUED AS A STANDARD DRAWING	SEPT 2017	J.LEESON	EES/DIPL
AMENDMENTS				

WARNING
 BEWARE OF UNDERGROUND SERVICES.
 THE LOCATIONS OF UNDERGROUND SERVICES ARE APPROXIMATE ONLY AND THEIR EXACT POSITION SHOULD BE PROVEN ON SITE. NO GUARANTEE IS GIVEN THAT ALL EXISTING SERVICES ARE SHOWN.

DRAWN BYRNE	CHECKED S.HATZI
DATE APRIL 2017	DATE APRIL 2017
DESIGNED BYRNE	CHECKED S.HATZI
DATE APRIL 2017	DATE APRIL 2017
DESIGN LEADER S.HATZI	DESIGN DIRECTOR S.JACKSON
DATE 1/09/2017	DATE 1/09/2017



STANDARD DRAWINGS KERBING, FENCING & LANDSCAPING				
ACCESS GATE DETAILS				
FILE No.	ASSET No.	SHEET No.	DRAWING No.	AMEND.
-	-	1 OF 1	CS3311	1
				SHEET SIZE A1