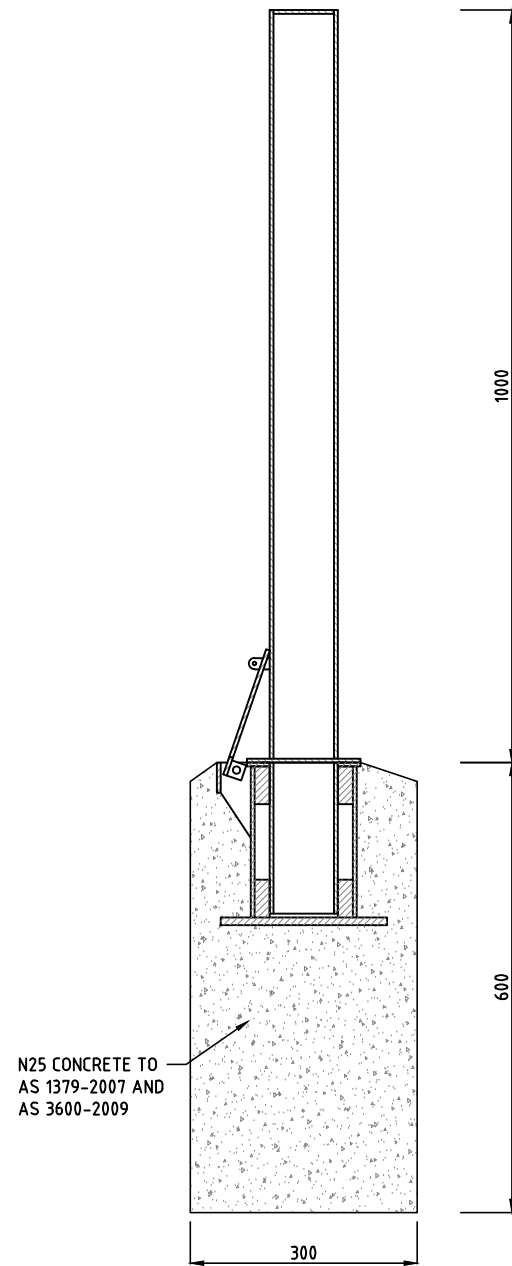


ASSEMBLY DETAIL
NOT TO SCALE

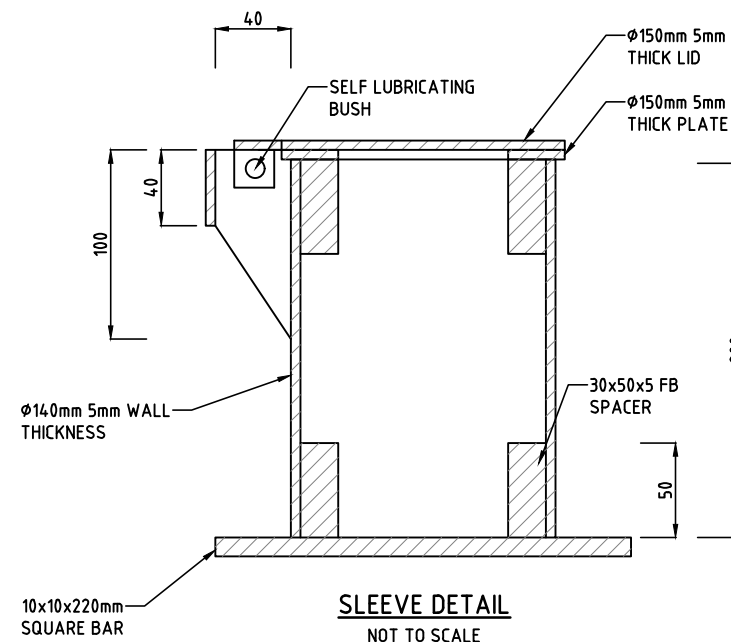


N25 CONCRETE TO AS 1379-2007 AND AS 3600-2009

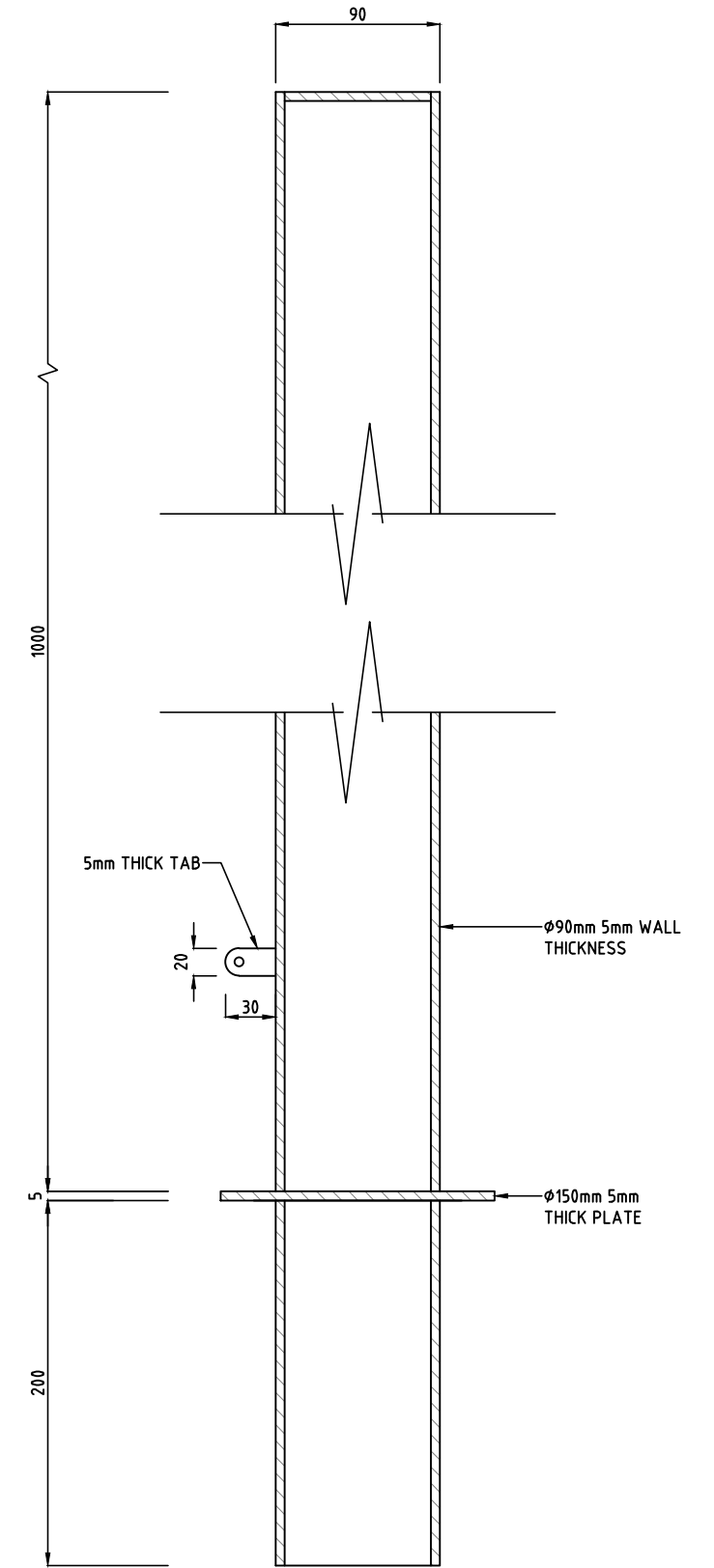
FRONT VIEW
NOT TO SCALE

NOTES:

1. ALL DIMENSIONS ARE IN MILLIMETRES UNLESS NOTED OTHERWISE.
2. ALL CONCRETE TO BE N25 TO AS 1379-2007 AND AS 3600-2009.
3. ALL WELDS GALVANISED FINISH



SLEEVE DETAIL
NOT TO SCALE



BOLLARD DETAIL
NOT TO SCALE

No.	DESCRIPTION	DATE	NAME	DEPT./COMPANY
0	ISSUED AS A STANDARD DRAWING	SEPT 2017	J.LEESON	EES/DIPL
AMENDMENTS				

WARNING
BEWARE OF UNDERGROUND SERVICES. THE LOCATIONS OF UNDERGROUND SERVICES ARE APPROXIMATE ONLY AND THEIR EXACT POSITION SHOULD BE PROVEN ON SITE. NO GUARANTEE IS GIVEN THAT ALL EXISTING SERVICES ARE SHOWN.

DRAWN J.LEESON DATE JULY 2017	CHECKED S.HATZI DATE JULY 2017
DESIGNED N.KNIBBS DATE DEC 2014	CHECKED B.O'DONNELL DATE DEC 2014
DESIGN LEADER S.HATZI DATE 1/09/2017	DESIGN DIRECTOR S.JACKSON DATE 1/09/2017



STANDARD DRAWINGS
KERBING, FENCING & LANDSCAPING

REMOVABLE BOLLARD INSTALLATION

FILE No.	ASSET No.	SHEET No.	DRAWING No.	AMEND.	SHEET SIZE
-	-	1 OF 1	CS3318	0	A1